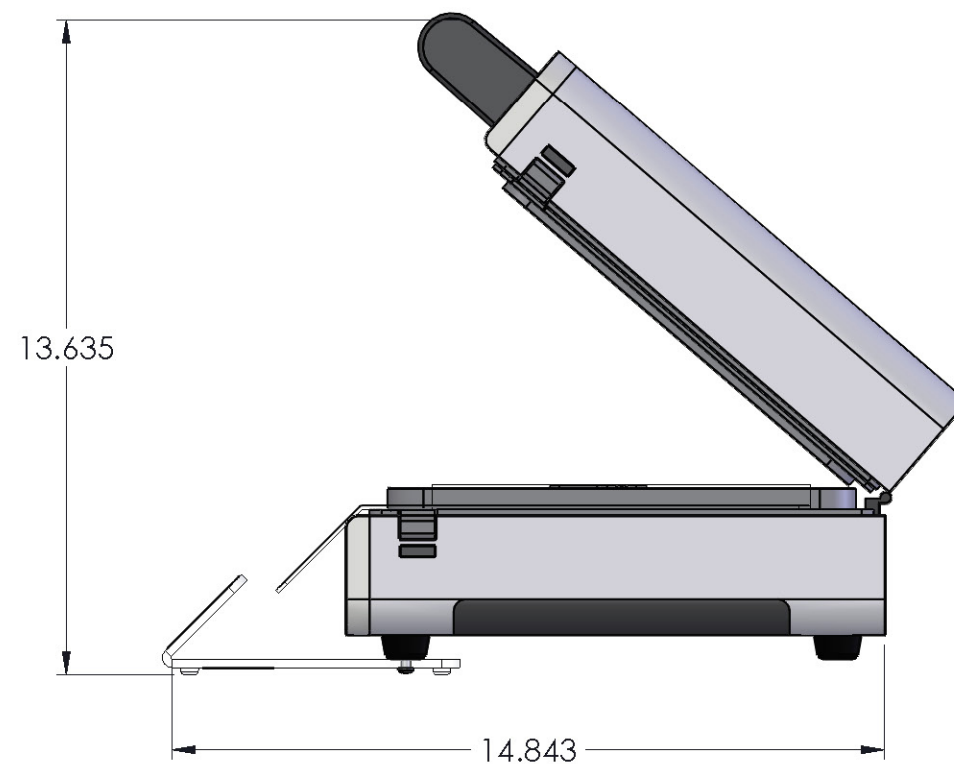


REV	ECN #	DESCRIPTION	DATE	BY
1	XXXX	FOR PRICING	08/09/19	JB

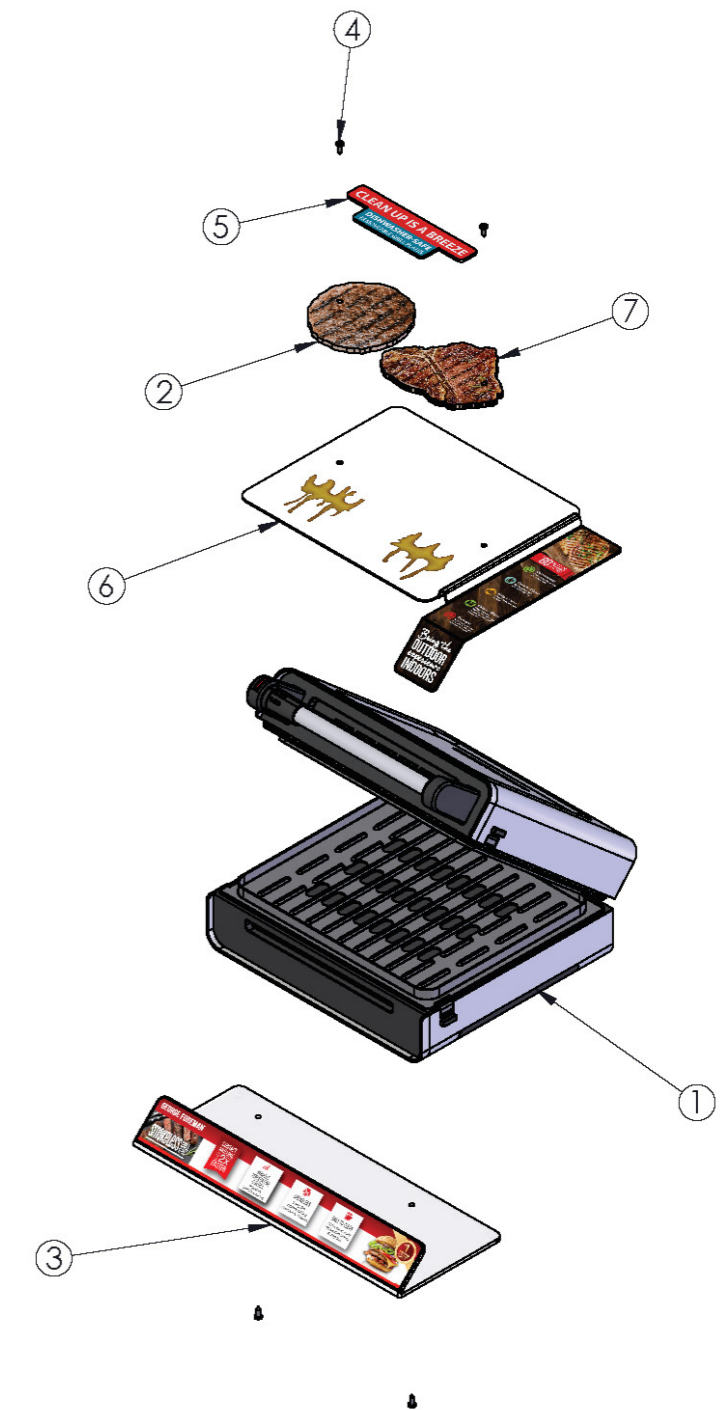


10 PAGE ENGINEERING BINDER FOR PRICING



TOLERANCES UNLESS OTHERWISE NOTED		TITLE	
XXX ± .015		GEORGE FOREMAN GRV6090B TARGET	
XX ± .030		DESIGNED	MATERIAL
HOLE ± .005		JB	N/A
ANGLE ± 1°		DATE	PART NO
		08/09/19	PXXXXX
		DATE	FINISH
		08/09/19	N/A
			SHEET 1 OF 2

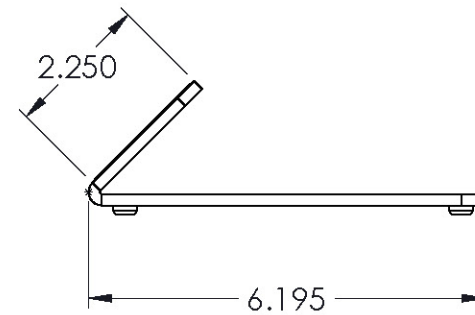
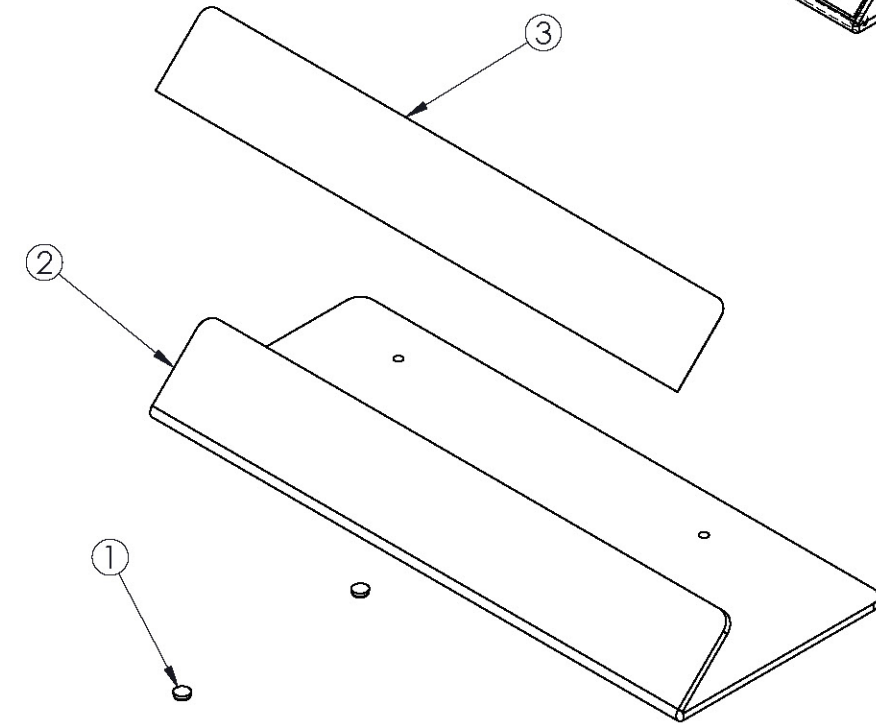
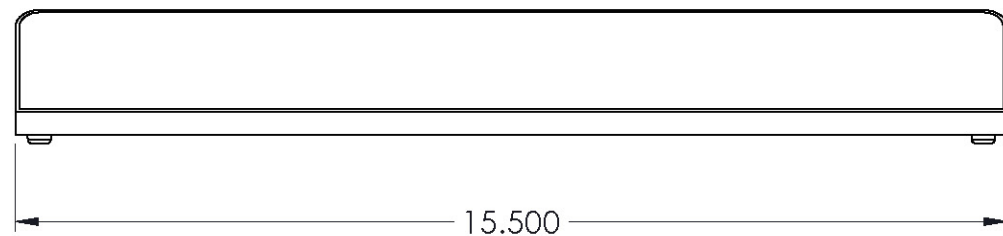
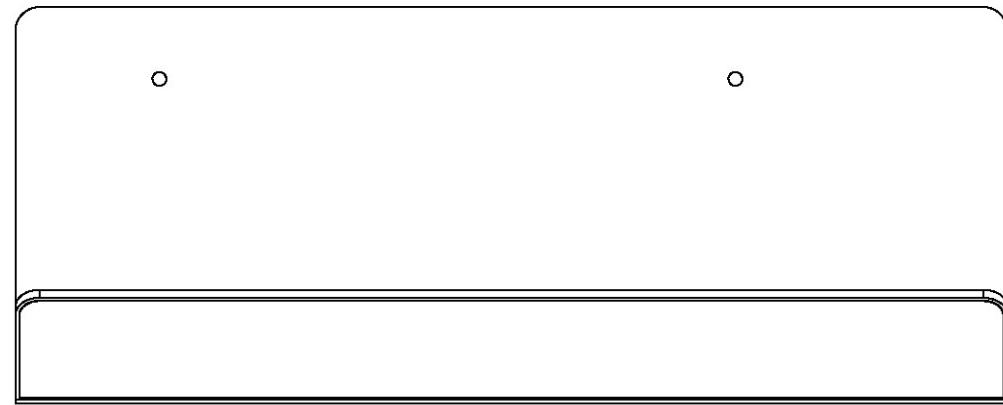
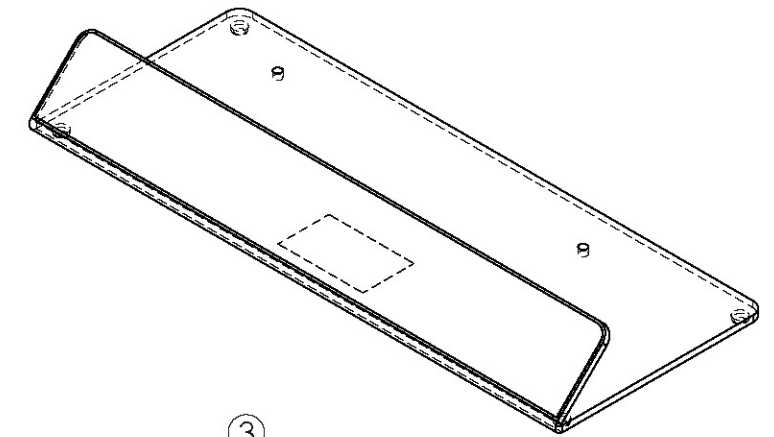
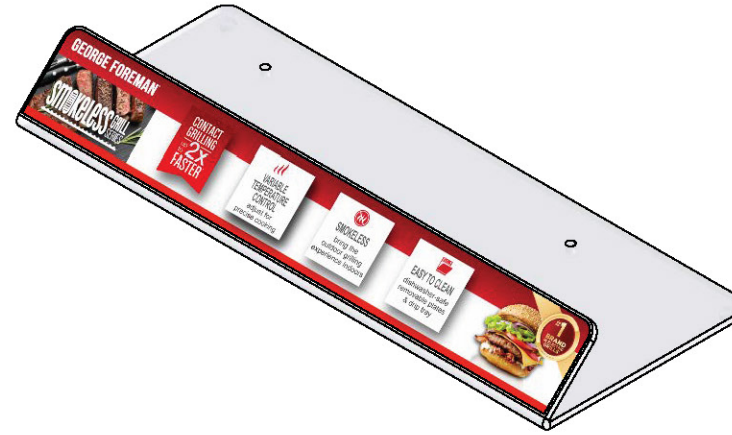
REV	ECN #	DESCRIPTION	DATE	BY
1	XXXX	FOR PRICING	08/09/19	JB



7	PXXXXX	PORK CHOP GRAPHIC	1
6	PXXXXX	GRAPHIC ON GRILL TARGET 1	1
5	PXXXXX	GRAPHIC ON GRILL TARGET 4	1
4	P36740	SHEET METAL SCREW 8 X 1/2 PHILLIP PAN HEAD TYPE B BLACK OXIDE	4
3	PXXXXX	ACRYLIC SLED TARGET ASSEMBLY	1
2	PXXXXX	BURGER GRAPHIC	1
1	PXXXXX	George Foreman Grill GRV6090B	1
ITEM NO.	PART NO.	DESCRIPTION	QTY.

TOLERANCES UNLESS OTHERWISE NOTED XXX ± .015 XX ± .030 HOLE ± .005 ANGLE ± 1°		TITLE GEORGE FOREMAN GRV6090B TARGET	
DESIGNED JB	DATE 08/09/19	DRAWN JB	DATE 08/09/19
MATERIAL N/A	FINISH N/A	PART NO. PXXXXX	SHEET 2 OF 2

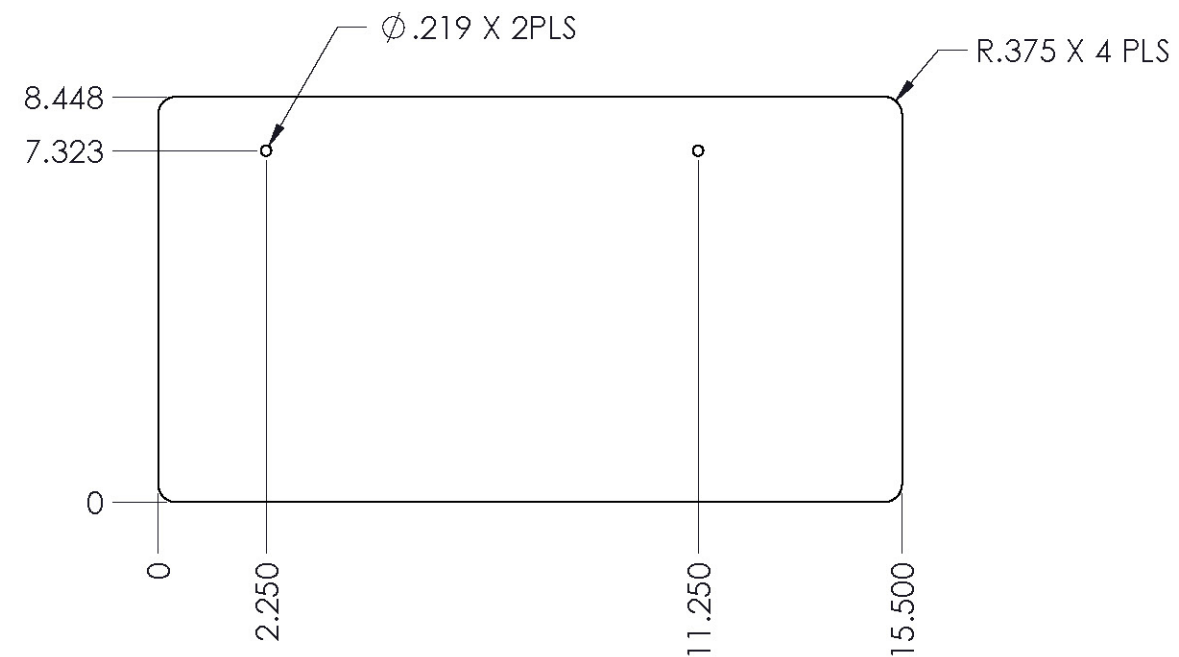
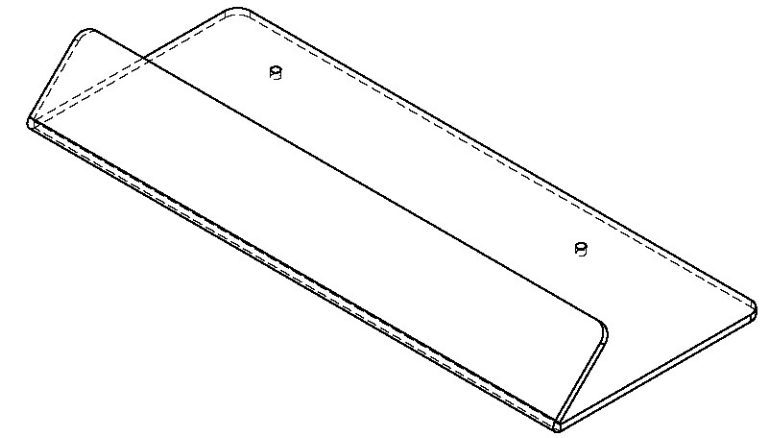
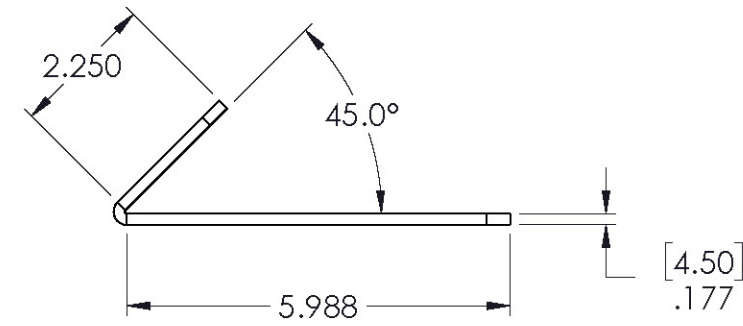
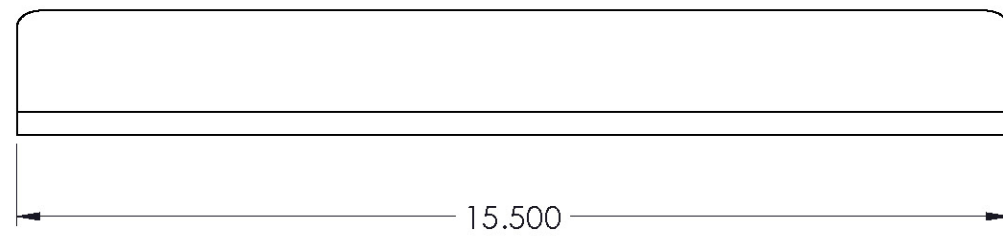
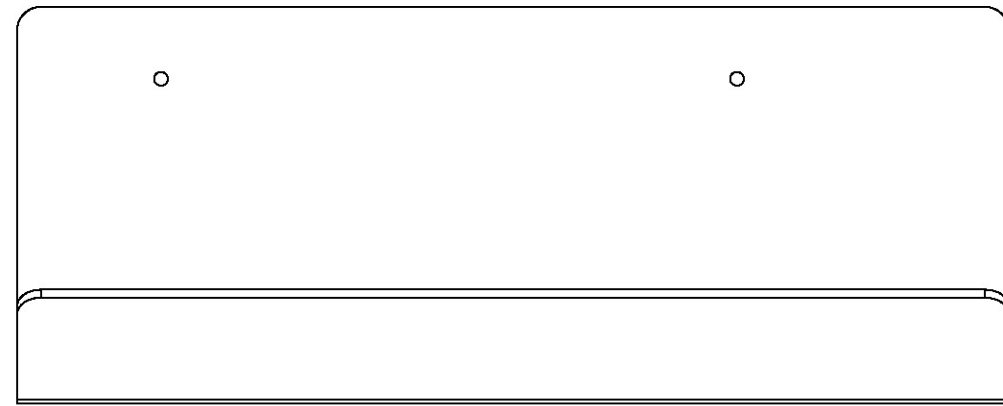
REV	ECN #	DESCRIPTION	DATE	BY
1	XXXX	FOR PRICING	08/09/19	JB



ITEM NO.	PART NO.	DESCRIPTION	QTY.
4	PXXXXX	ACRYLIC SLED TARGET DNI LABEL	1
3	PXXXXX	ACRYLIC SLED TARGET GRAPHIC	1
2	PXXXXX	ACRYLIC SLED WALMART	1
1	PXXXXX	CLEAR RUBBER BUMPERS 1/2" DIAM X 0.14" THICK	4

TOLERANCES UNLESS OTHERWISE NOTED XXX ± .015 XX ± .030 HOLE ± .005 ANGLE ± 1°		TITLE ACRYLIC SLED TARGET ASSEMBLY	
DESIGNED JB	DRAWN JB	MATERIAL N/A	PART NO. PXXXXX
DATE 08/01/19	DATE 08/09/19	FINISH XXXXXXXXXX	SHEET 1 OF 1

REV	ECN #	DESCRIPTION	DATE	BY
1	XXXX	FOR PRICING	08/01/19	JB



TOLERANCES UNLESS OTHERWISE NOTED		TITLE	
XXX ± .015 XX ± .030 HOLE ± .005 ANGLE ± 1°		ACRYLIC SLED WALMART	
DESIGNED	DRAWN	MATERIAL	PART NO
JB	JB	ACRYLIC	PXXXXX
DATE	DATE	FINISH	
08/01/19	08/01/19	CLEAR	SHEET 1 OF 1

REV	ECN #	DESCRIPTION	DATE	BY
1	XXXX	FOR PRICING	08/09/19	JB



PRINTED ON WHITE VINYL DECAL

TOLERANCES UNLESS OTHERWISE NOTED XXX ± .015 XX ± .030 HOLE ± .005 ANGLE ± 1°		TITLE ACRYLIC SLED TARGET GRAPHIC	
DESIGNED JB	DRAWN JB	MATERIAL STYRENE	PART NO PXXXXX
DATE 08/08/19	DATE 08/09/19	FINISH PRINTED VINYL DECAL	SHEET 1 OF 1

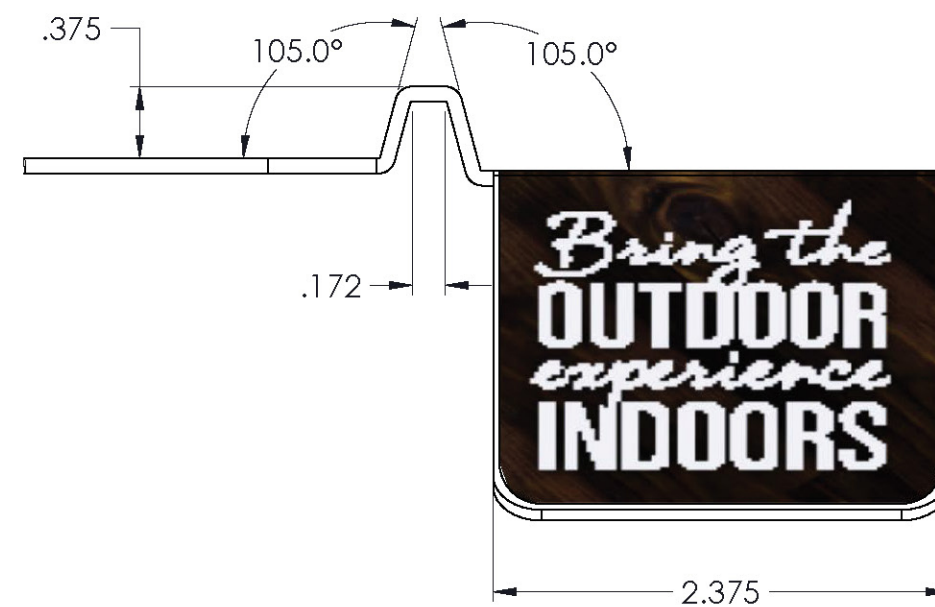
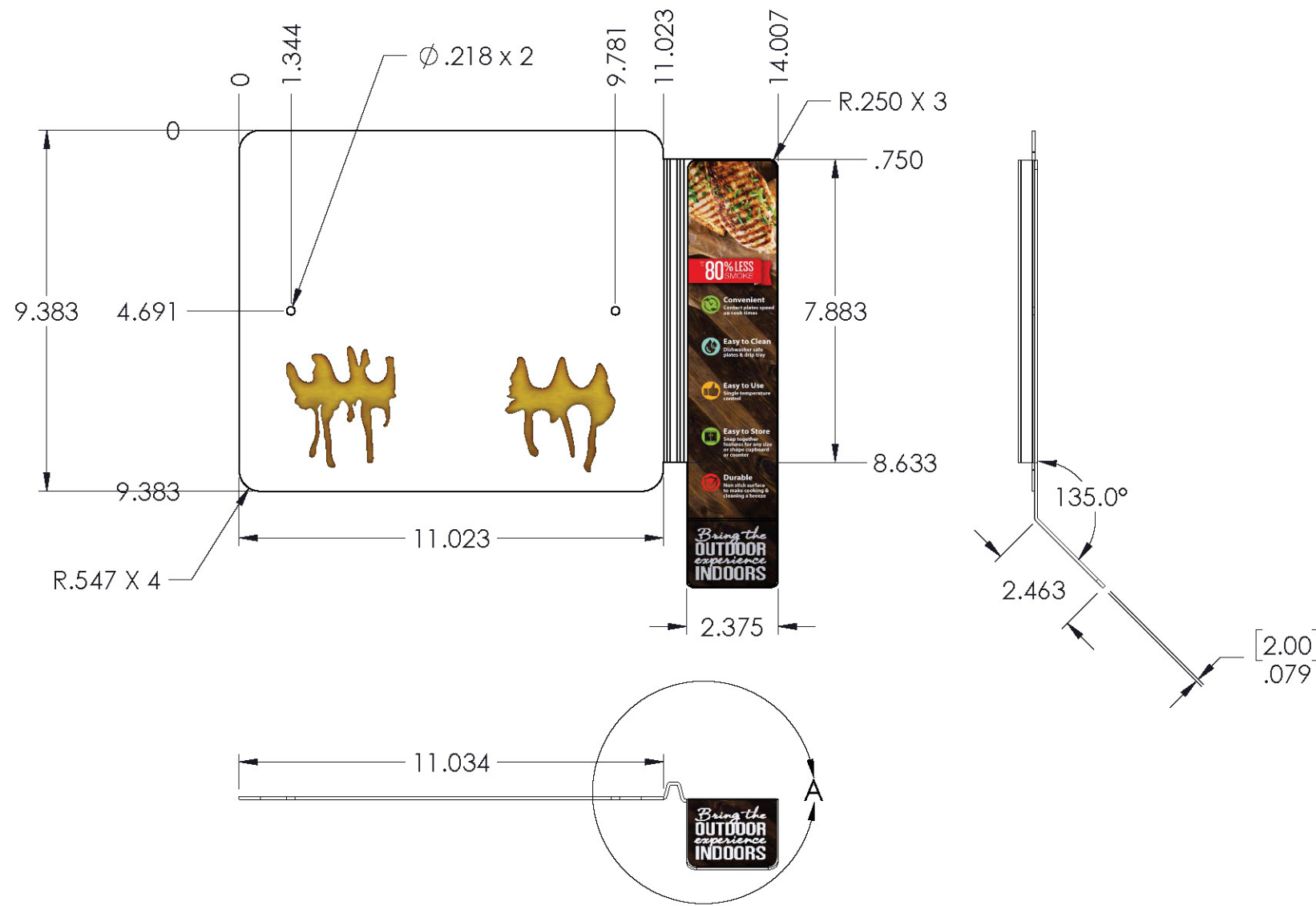
REV	ECN #	DESCRIPTION	DATE	BY
1	XXXX	FOR PRICING	08/09/19	JB



BLACK COPY ON WHITE VINYL DECAL

TOLERANCES UNLESS OTHERWISE NOTED XXX ± .015 XX ± .030 HOLE ± .005 ANGLE ± 1°		TITLE ACRYLIC SLED TARGET DNI LABEL	
DESIGNED JB	DRAWN JB	MATERIAL VINYL	PART NO PXXXXX
DATE 08/09/19	DATE 08/09/19	FINISH PRINTED VINYL DECAL	SHEET 1 OF 1

REV	ECN #	DESCRIPTION	DATE	BY
1	XXXX	FOR PRICING	08/09/19	JB

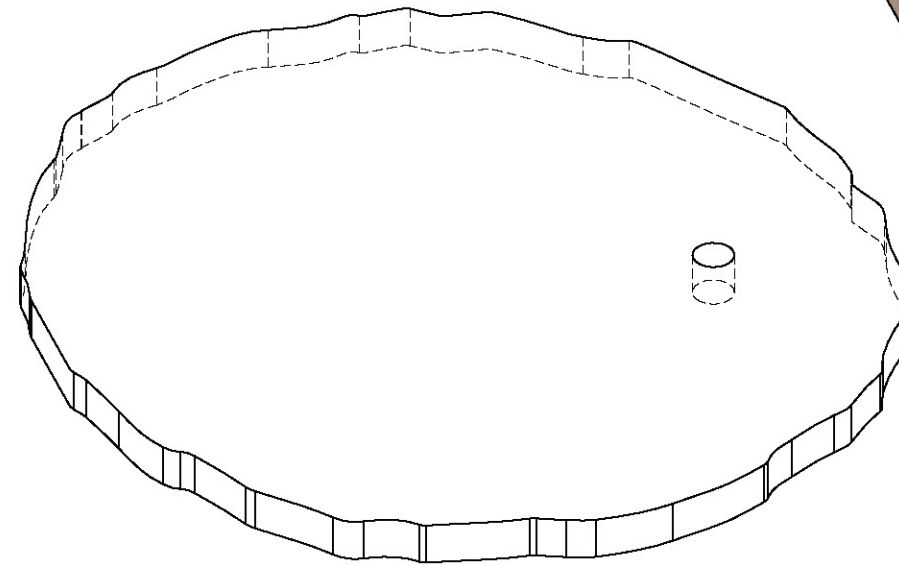
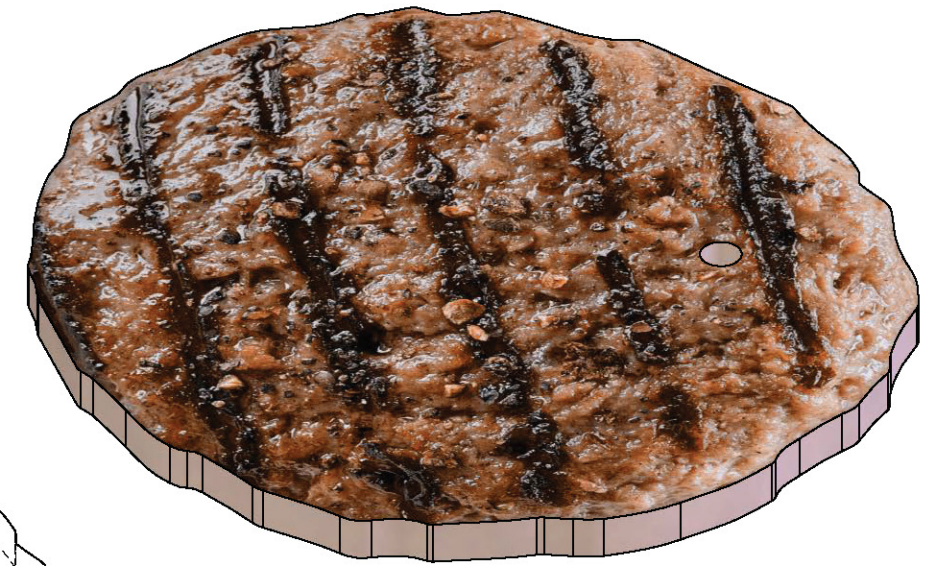


DETAIL A

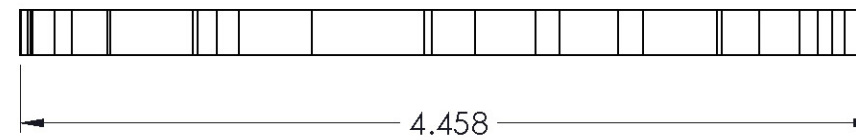
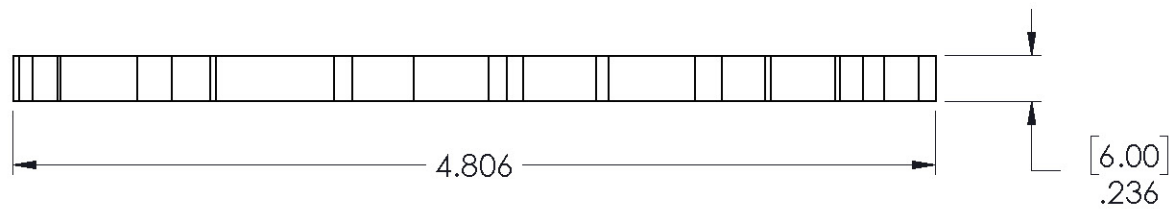
PRINTED ON CLEAR 2MM PETG

TOLERANCES UNLESS OTHERWISE NOTED		TITLE	
XXX ± .015		GRAPHIC ON GRILL TARGET 1	
XX ± .030		DESIGNED	PART NO
HOLE ± .005		JB	PXXXXX
ANGLE ± 1°		DRAWN	MATERIAL
		JB	PETG
DATE	DATE	FINISH	
08/08/19	08/09/19	PRINTED ON CLEAR	SHEET 1 OF 1

REV	ECN #	DESCRIPTION	DATE	BY
1	XXXX	FOR PRICING	08/09/19	JB

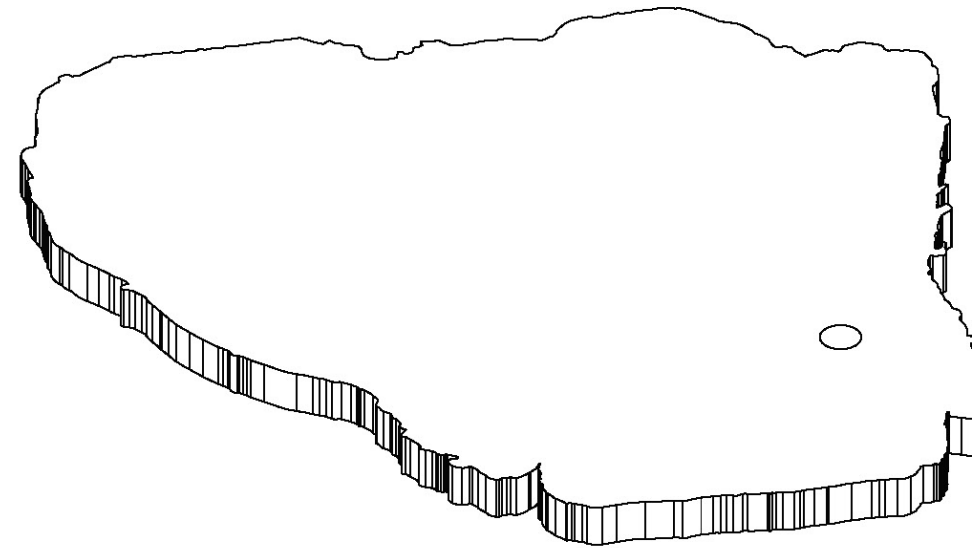
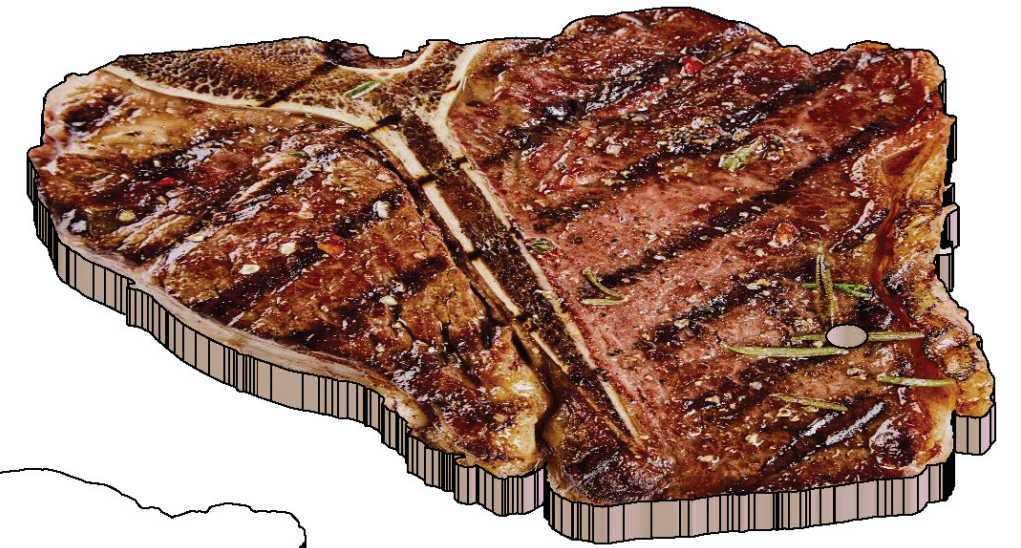
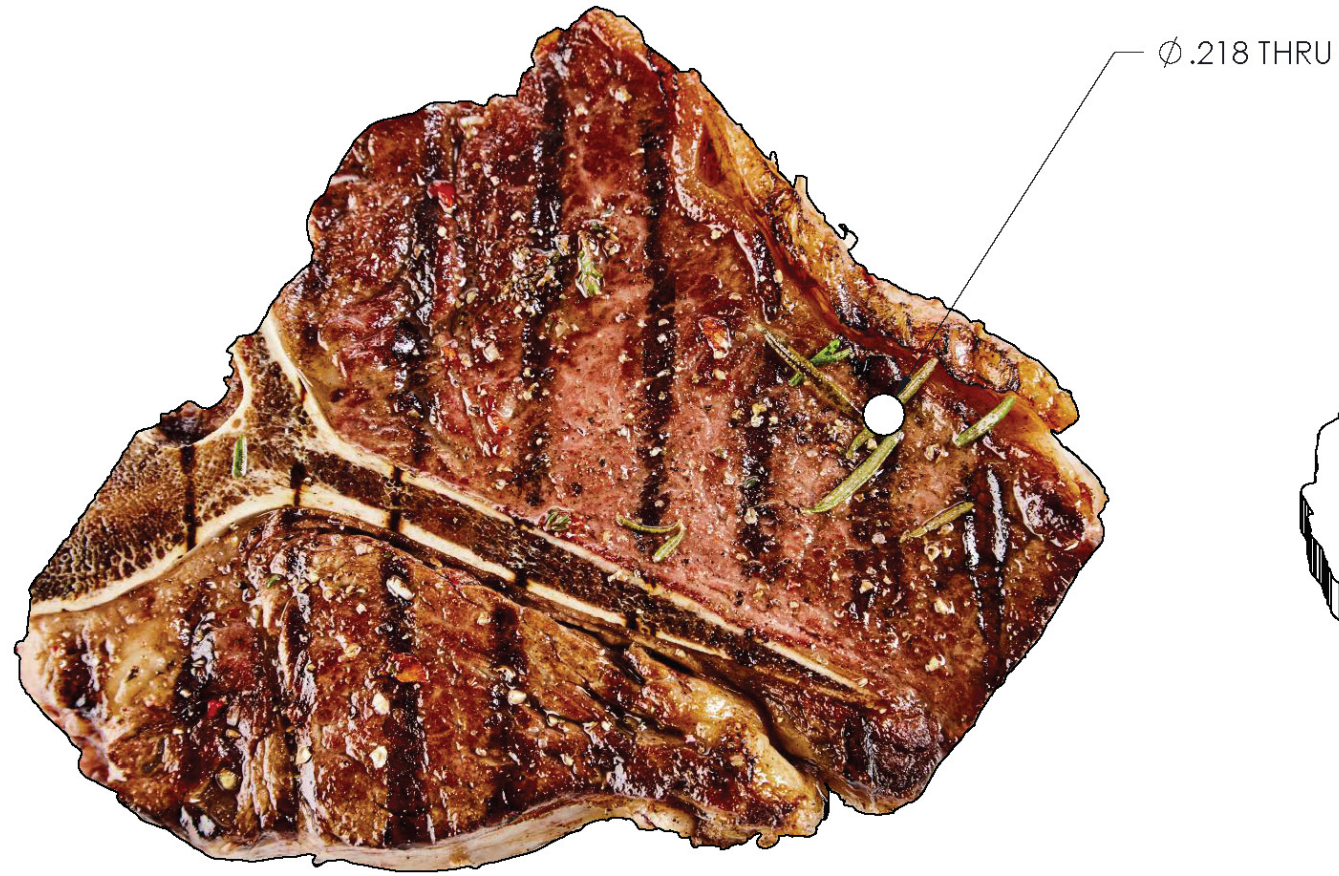


PRINTED ON 6MM BEIGE SINTRA
THEN CUT ACCORDING TO AMD
PROVIDED DXF PROFILE

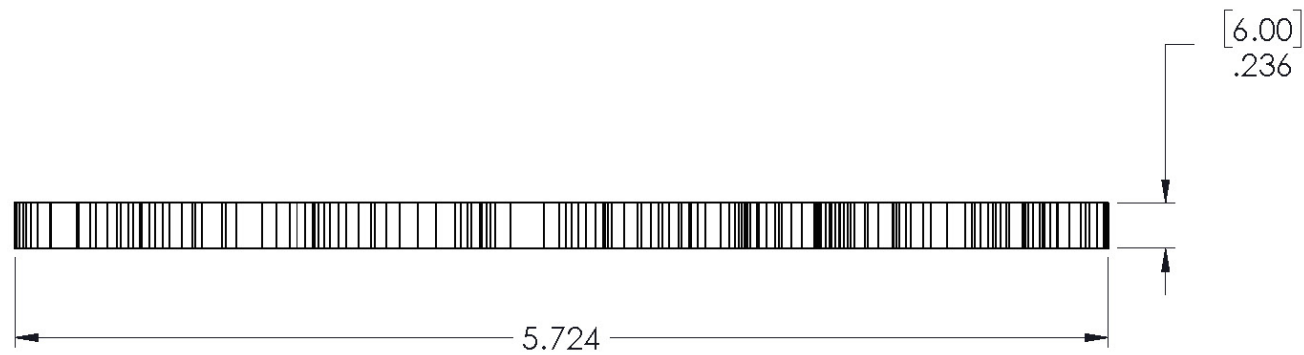


TOLERANCES UNLESS OTHERWISE NOTED		TITLE	
XXX ± .015 XX ± .030 HOLE ± .005 ANGLE ± 1°		BURGER GRAPHIC	
DESIGNED	DRAWN	MATERIAL	PART NO
JB	JB	SINTRA	PXXXXX
DATE	DATE	FINISH	
08/08/19	08/09/19	BEIGE	SHEET 1 OF 1

REV	ECN #	DESCRIPTION	DATE	BY
1	XXXX	FOR PRICING	08/09/19	JB



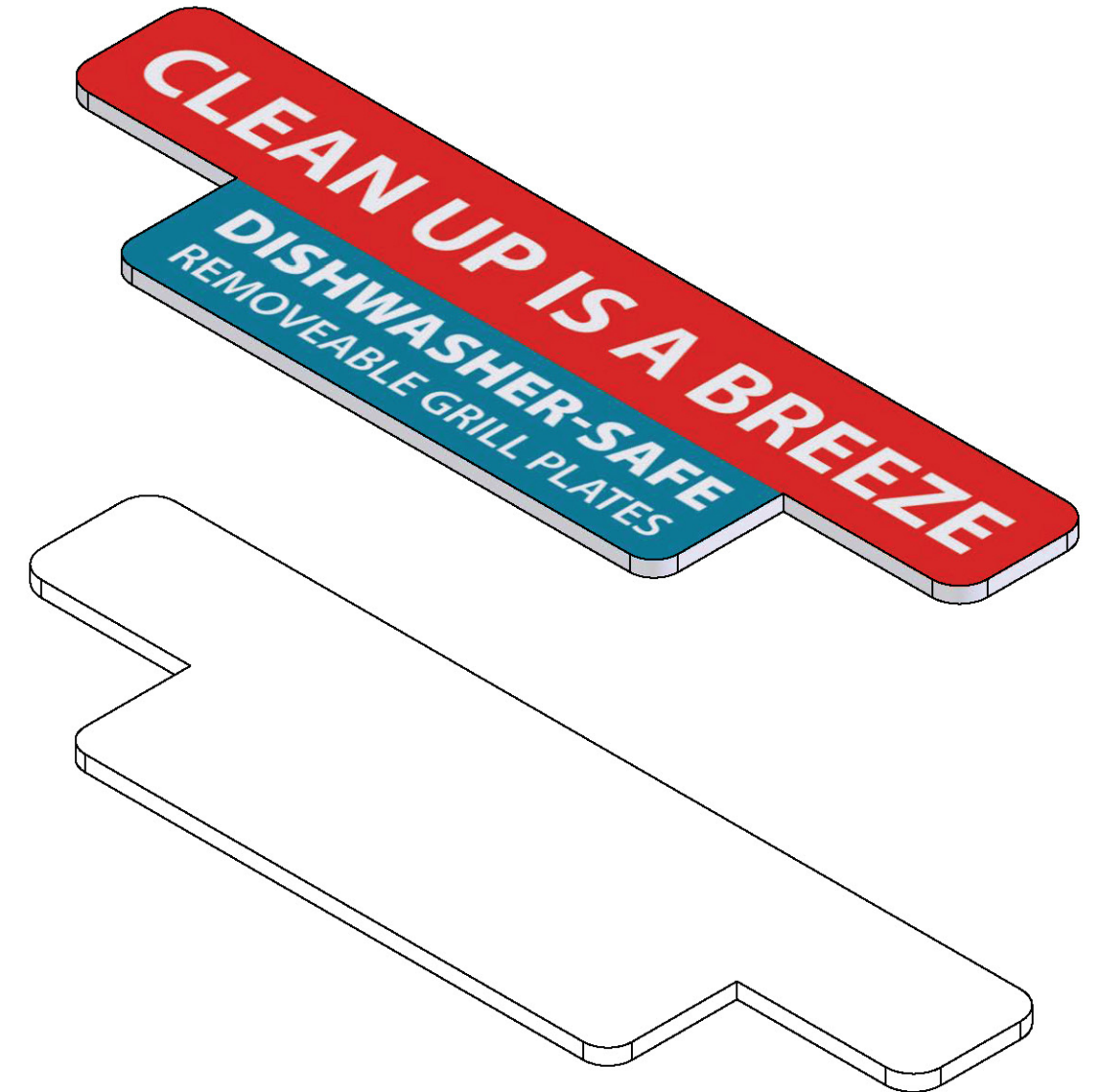
PRINTED ON 6MM BEIGE SINTRA
THEN CUT ACCORDING TO
AMD PROVIDED DXF PROFILE



TOLERANCES UNLESS OTHERWISE NOTED XXX ± .015 XX ± .030 HOLE ± .005 ANGLE ± 1°		TITLE PORK CHOP GRAPHIC	
DESIGNED JB	DRAWN JB	MATERIAL SINTRA	PART NO PXXXXX
DATE 08/08/19	DATE 08/09/19	FINISH BEIGE	SHEET 1 OF 1

REV	ECN #	DESCRIPTION	DATE	BY
1	XXXX	FOR PRICING	08/09/19	JB

PRINTED ON 3MM WHITE SINTRA
THEN CUT ACCORDING TO
AMD PROVIDED DXF PROFILE



TOLERANCES UNLESS OTHERWISE NOTED XXX ± .015 XX ± .030 HOLE ± .005 ANGLE ± 1°		TITLE GRAPHIC ON GRILL TARGET 4	
DESIGNED JB	DRAWN JB	MATERIAL SINTRA	PART NO PXXXXX
DATE 08/08/19	DATE 08/09/19	FINISH WHITE	SHEET 1 OF 1