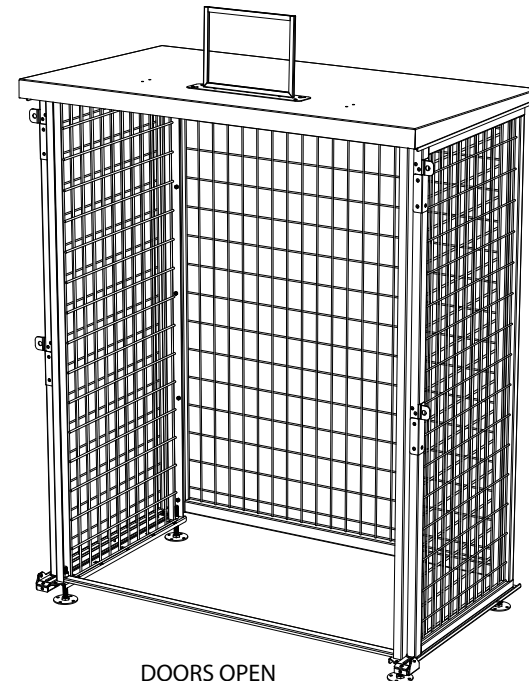


DOORS CLOSED

LARGE or SMALL SECURITY CAGE



Cage is not provided with shelves. Optional shelves are available, and if ordered, are packed separately.



DOORS OPEN

If needed, call for installation assistance

TOOLS & PARTS NEEDED:

(not provided)

3/8" WRENCH



5/32" HEX L-KEY



3/16" OR 1/4" X 1.25-1.75" TAPCON
STYLE CONCRETE ANCHORS



WASHERS FOR CONCRETE ANCHORS



MASONRY DRILL BIT



HAMMER DRILL



BUBBLE LEVEL

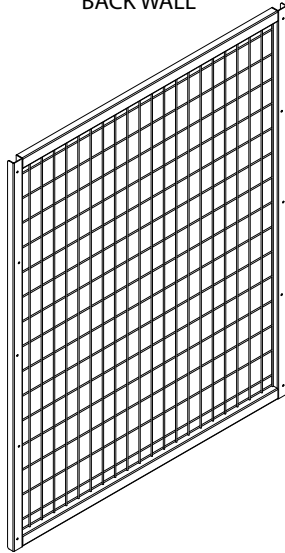


LOCKS

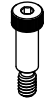


CARTON 1

1 pc.
BACK WALL



2 pcs.
LONG SHOULDER
SCREW



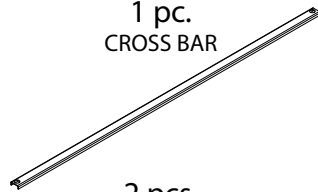
2 pcs.
SHORT SHOULDER
SCREW



4 pcs.
LARGE METAL
WASHER



1 pc.
CROSS BAR



4 pcs.
PLASTIC WASHER



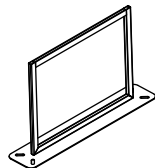
2 pcs.
LARGE NUT



16 pcs.
SHORT SCREW



1 pc.
SMALL SIGN
HOLDER



16 pcs.
LOCK NUT

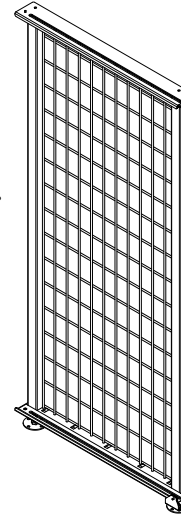


2 pcs.
SMALL METAL
WASHER

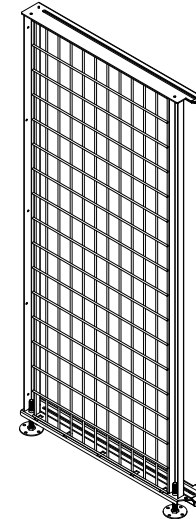


CARTON 2

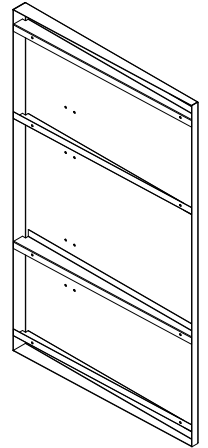
1 pc.
LEFT
WALL



1 pc.
RIGHT
WALL

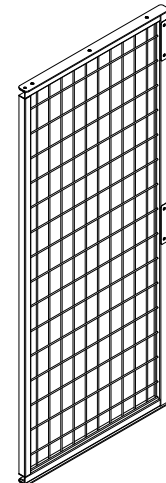


1 pc.
ROOF

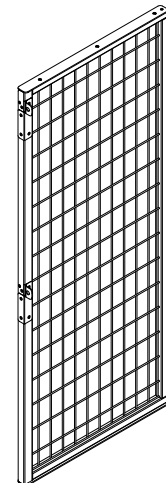


CARTON 3

1 pc.
LEFT
DOOR



1 pc.
RIGHT
DOOR








1

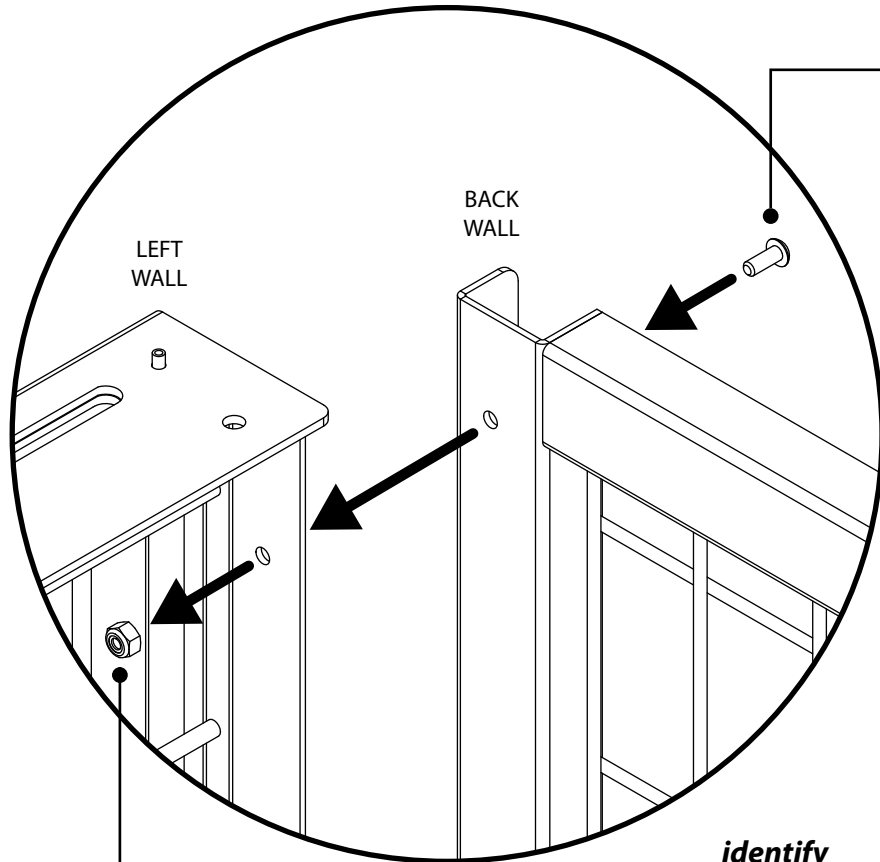
Attach left wall to back wall.

Using 3/8" WRENCH and 5/32" HEX L-KEY, connect LEFT WALL to BACK WALL using 5 pcs. SHORT SCREWS and 5 pcs. LOCK NUTS.

TOOLS & PARTS NEEDED FOR STEP:

5 pcs. SHORT SCREW	5 pcs. LOCK NUT	3/8" WRENCH
		
		5/32" HEX L-KEY
		

 **2 PEOPLE REQUIRED**

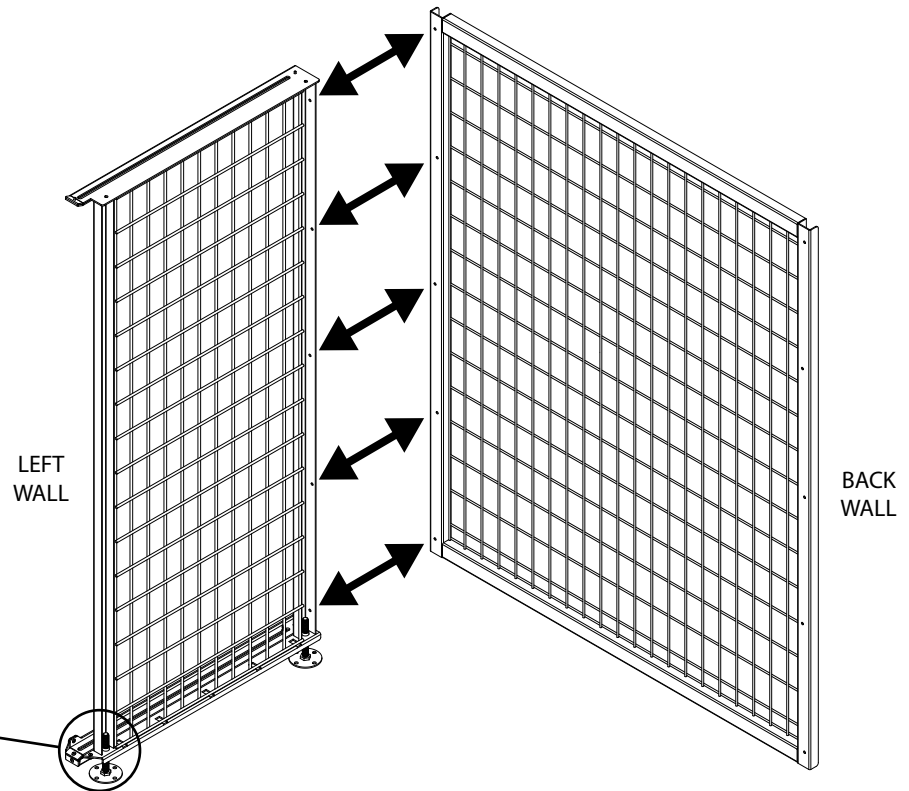
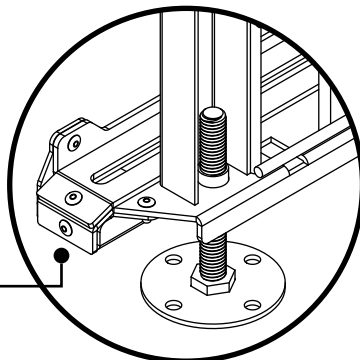


insert short screw through back wall

attach lock nut from inside of left wall

identify LEFT WALL

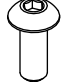



door guide at bottom faces left




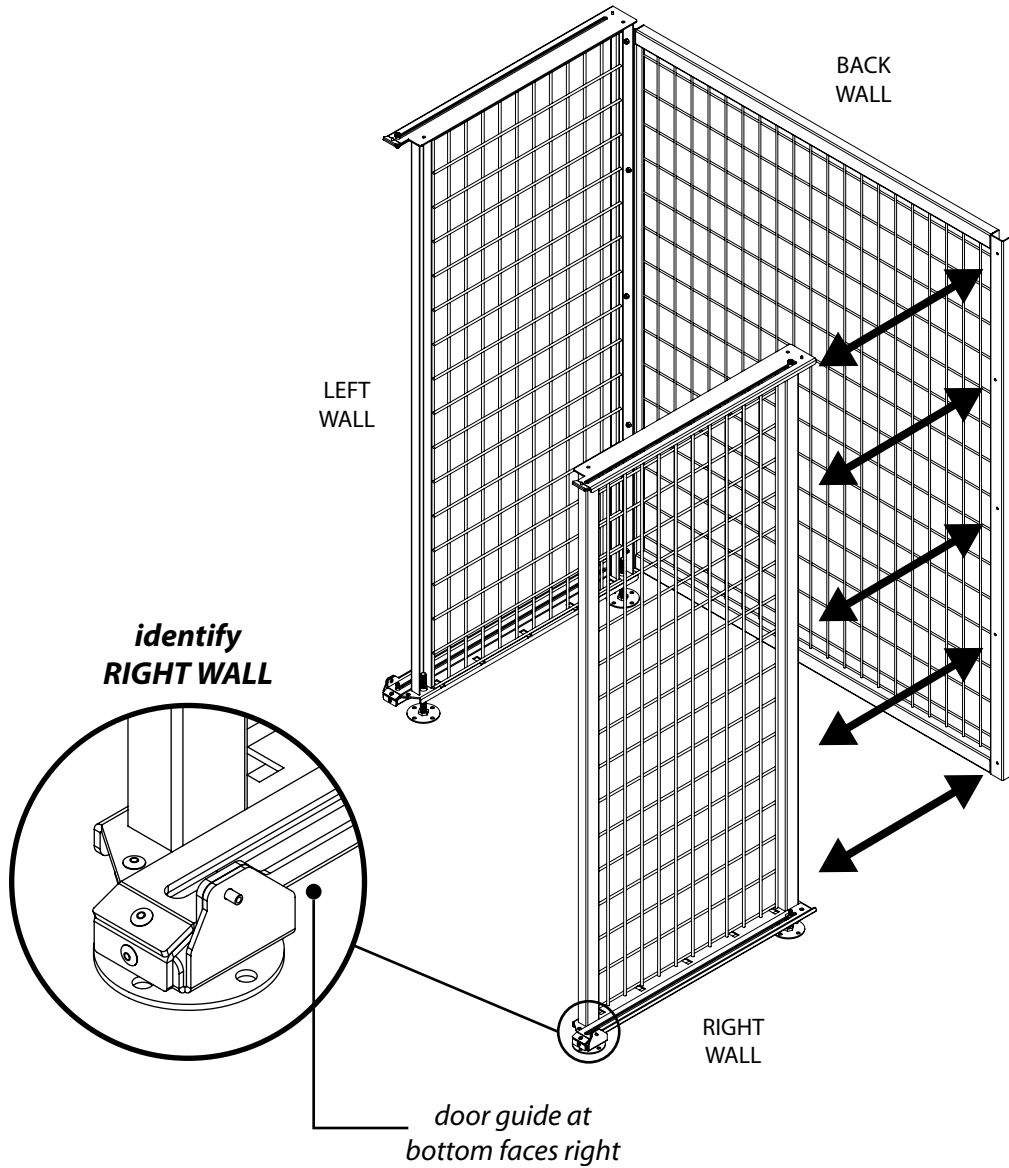
2 Attach right wall to back wall.


As in previous step, using 3/8" WRENCH and 5/32" HEX L-KEY, connect RIGHT WALL to BACK WALL using 5 pcs. SHORT SCREWS and 5 pcs. LOCK NUTS.

TOOLS & PARTS NEEDED FOR STEP:

5 pcs. SHORT SCREW	5 pcs. LOCK NUT	3/8" WRENCH
		
		5/32" HEX L-KEY
		



 **2 PEOPLE REQUIRED**

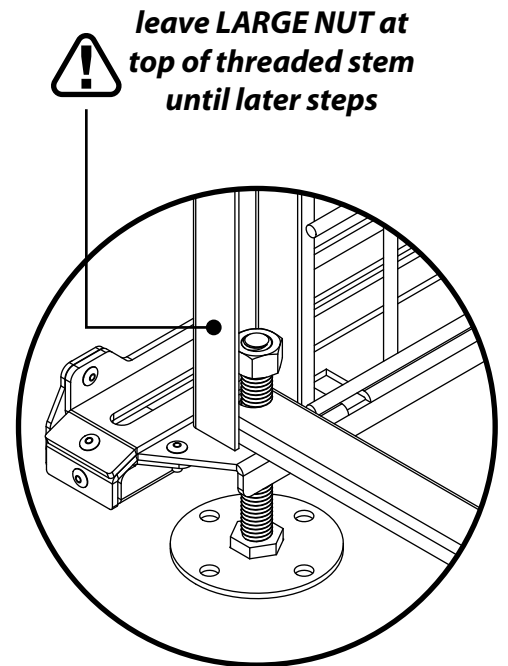
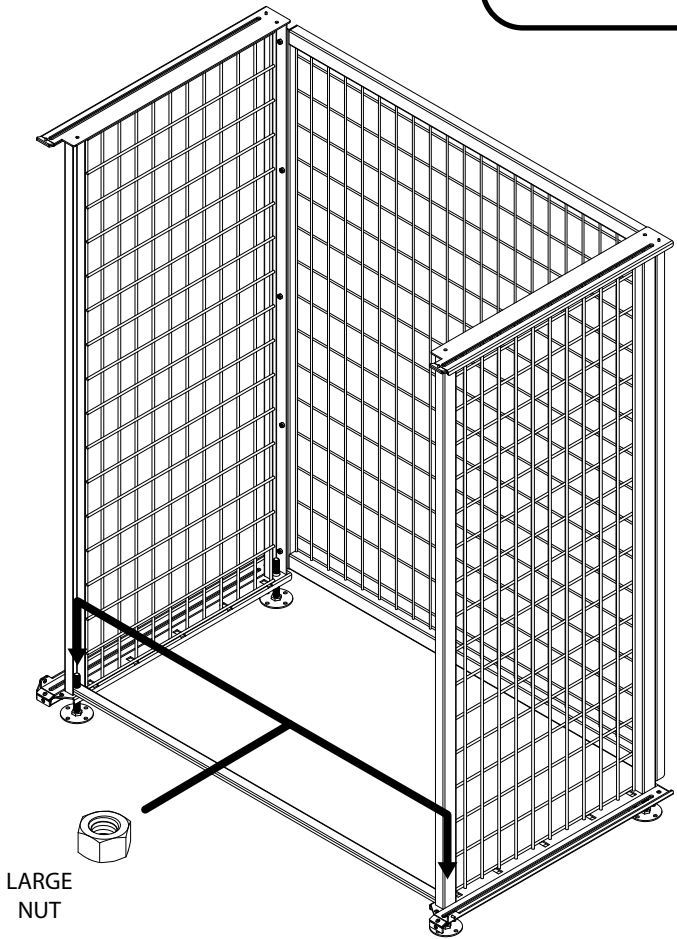
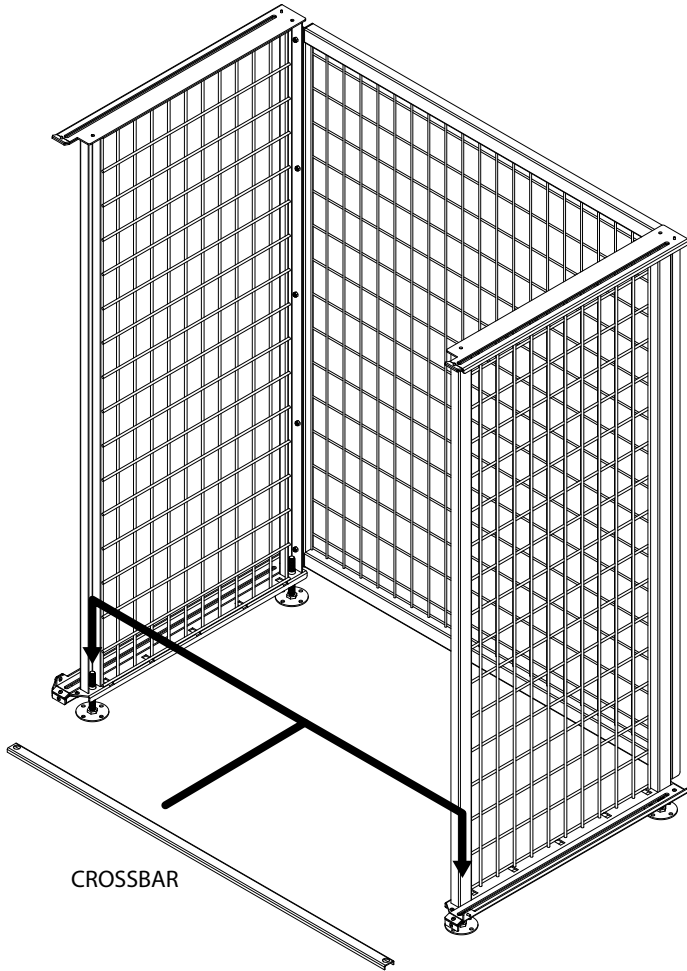


 *unit should be stable and can now stand on its own*

- 3 Attach crossbar to keep cage spaced correctly.**
 Attach CROSSBAR to threaded stems of front levelers, then attach LARGE NUTS to each threaded stem, but DO NOT tighten LARGE NUTS yet, leave LARGE NUTS near the top of the threaded stem until later steps.
NOTE: Leave LARGE NUT at top of threaded stem until later steps

TOOLS & PARTS NEEDED FOR STEP:

1 pc. CROSSBAR	2 pcs. LARGE NUT
	








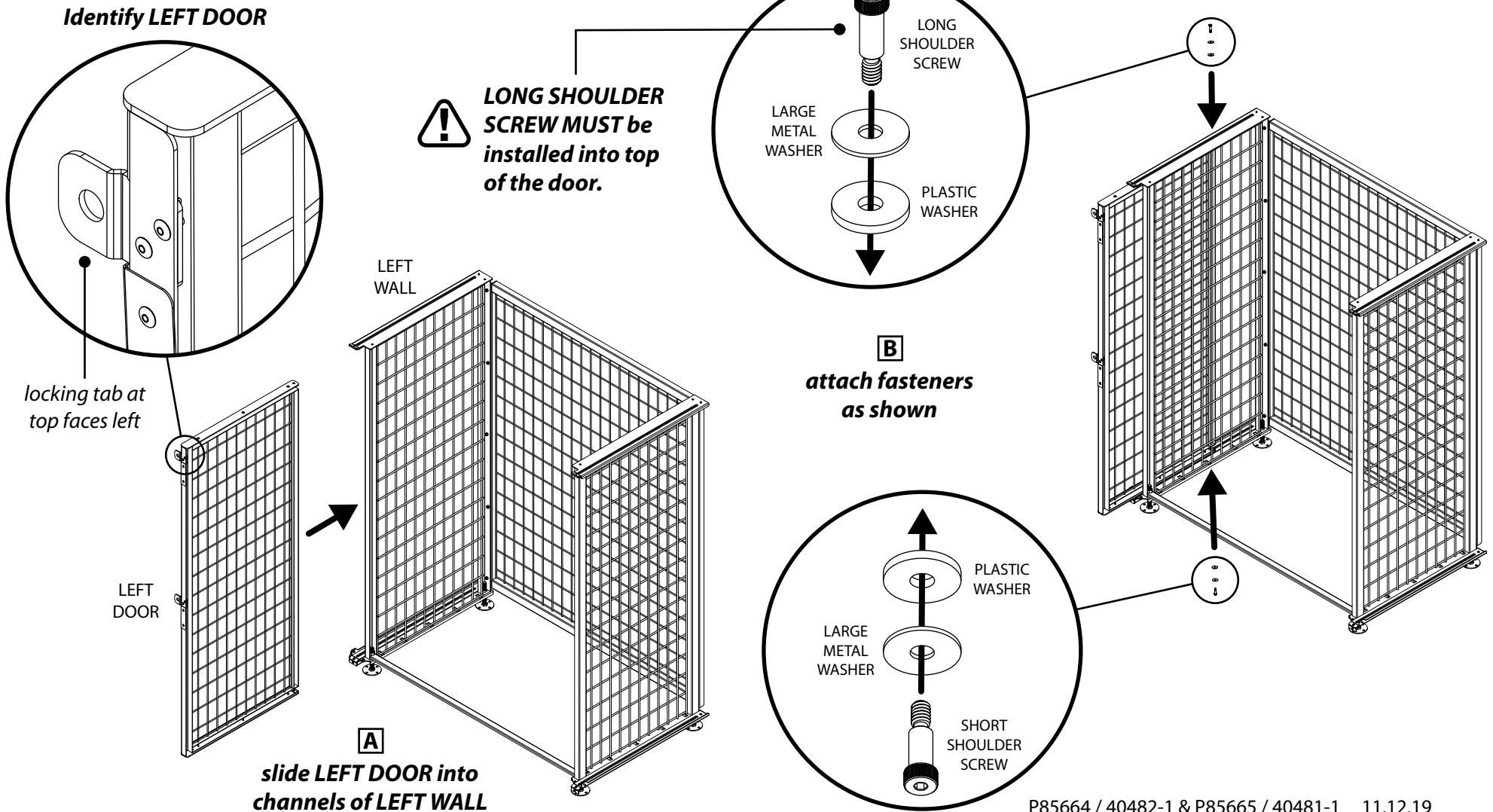
4 Attach LEFT DOOR to cage.

- A** Slide LEFT DOOR into channels of LEFT WALL.
- B** Using 5/32" HEX L-KEY, attach LEFT DOOR to LEFT WALL with LONG SHOULDER SCREW, LARGE METAL WASHERS, PLASTIC WASHERS and SHORT SHOULDER SCREW.

NOTE: LONG SHOULDER SCREW MUST be installed into top of the door.

TOOLS & PARTS NEEDED FOR STEP:

2 pcs. LARGE METAL WASHER	2 pcs. PLASTIC WASHER	1 pcs. LONG SHOULDER SCREW	1 pcs. SHORT SHOULDER SCREW
			
5/32" HEX L-KEY			
			




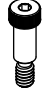



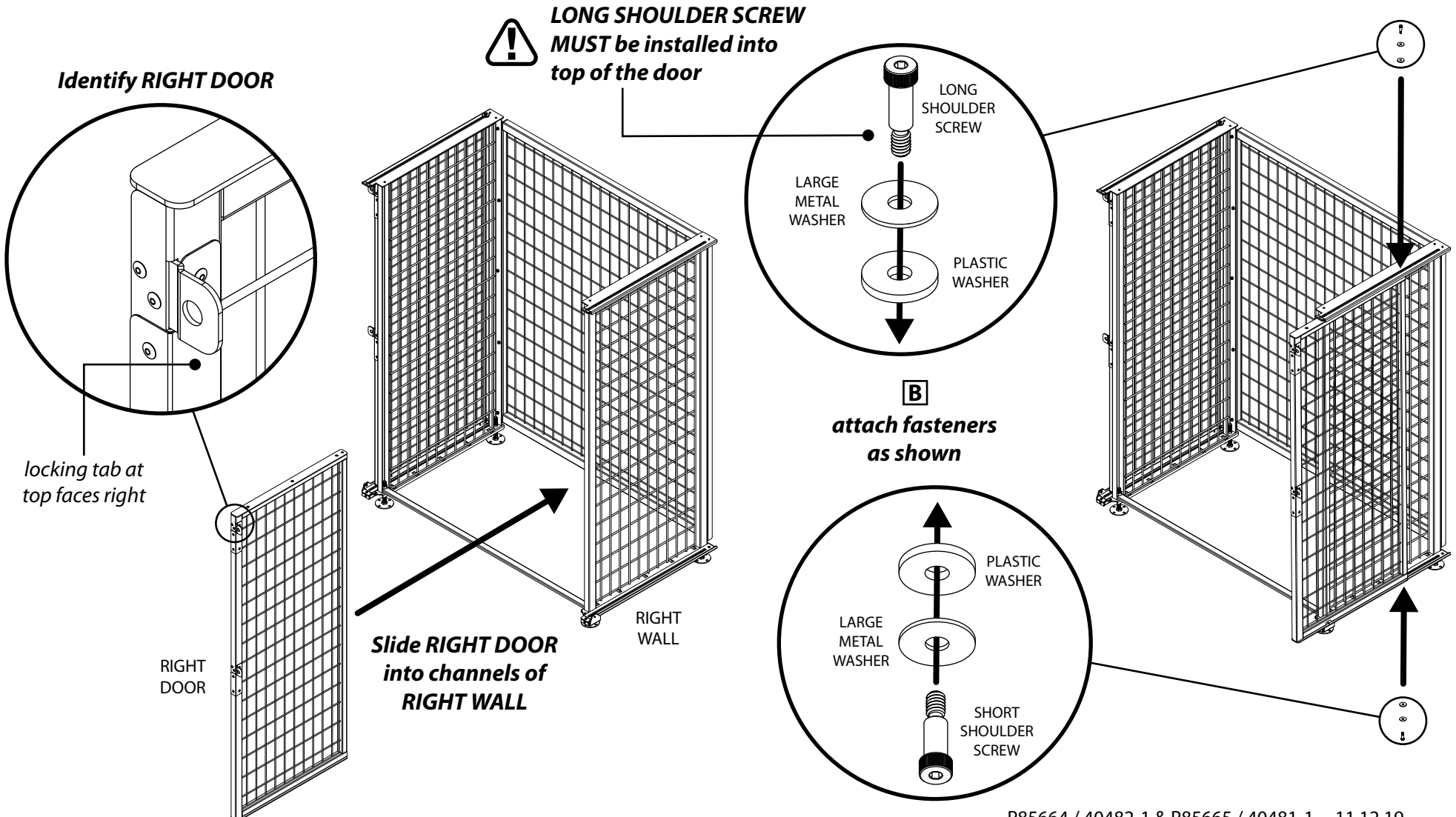
5 Attach **RIGHT DOOR** to cage.

- A** Slide **RIGHT DOOR** into channels of **RIGHT WALL**.
- B** Using 5/32" HEX L-KEY, attach **RIGHT DOOR** to **RIGHT WALL** with **LONG SHOULDER SCREW**, **LARGE METAL WASHERS**, **PLASTIC WASHERS** and **SHORT SHOULDER SCREW**.

NOTE: LONG SHOULDER SCREW MUST be installed into top of the door.

TOOLS & PARTS NEEDED FOR STEP:

2 pcs. LARGE METAL WASHER	2 pcs. PLASTIC WASHER	1 pcs. LONG SHOULDER SCREW	1 pcs. SHORT SHOULDER SCREW
			
5/32" HEX L-KEY 			



6 Attach ROOF to cage.

- A** Align ROOF mounting holes with holes on RIGHT WALL and LEFT WALL.
 - B** Insert 4 pcs. SHORT SCREWS and attach 4 pcs. LOCK NUTS using 3/8" WRENCH and 5/32" HEX L-KEY.
- NOTE: screw MUST be installed so nut is in roof cavity.**

TOOLS & PARTS NEEDED FOR STEP:

1 pc. ROOF

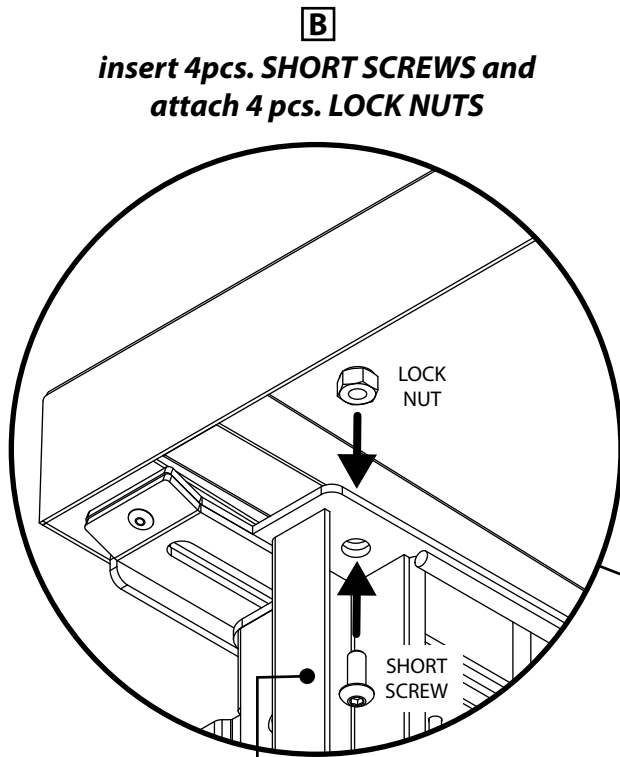
4 pcs. SHORT SCREW

4 pcs. LOCK NUT

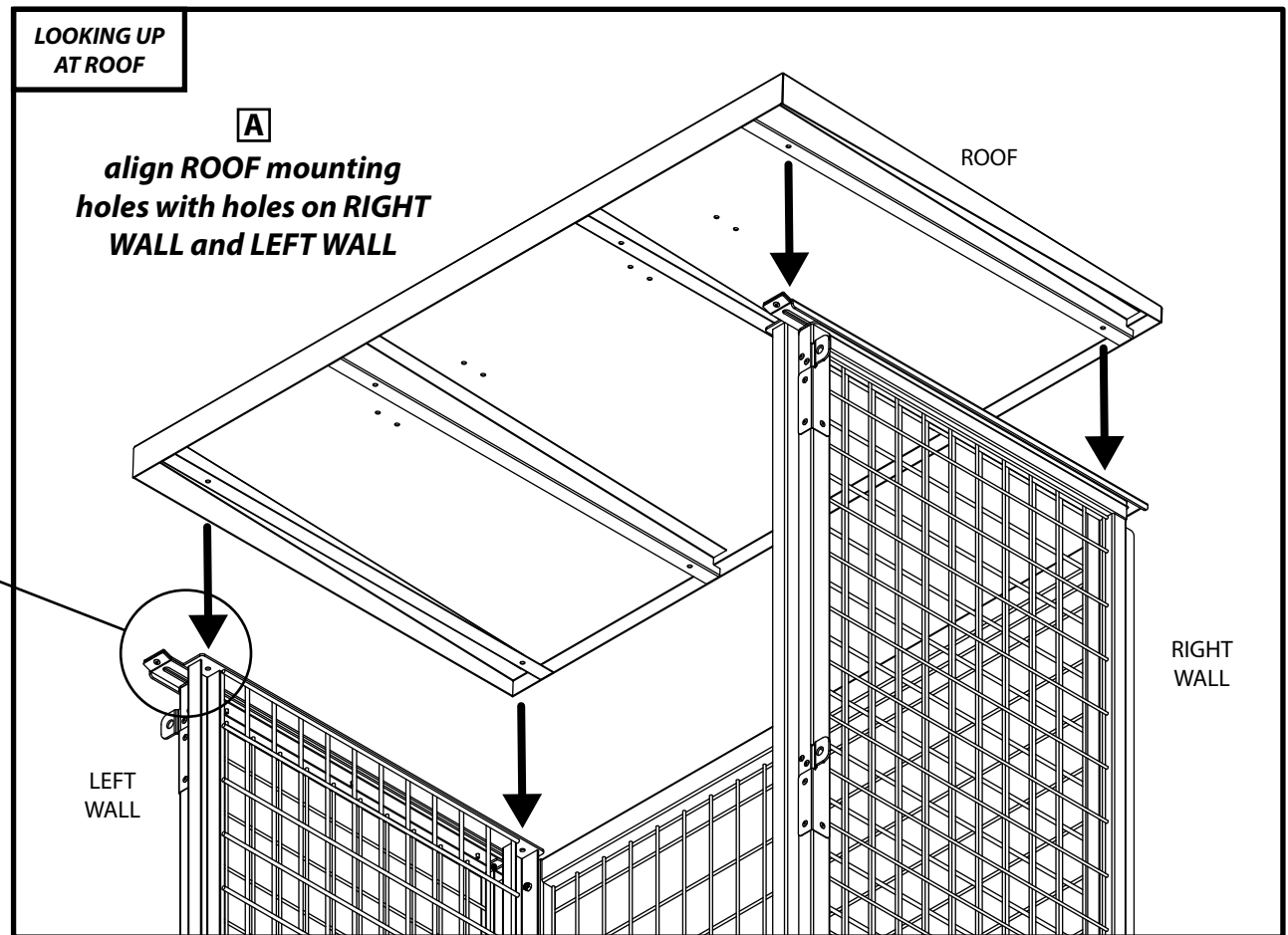
3/8" WRENCH

5/32" HEX L-KEY

2 PEOPLE REQUIRED



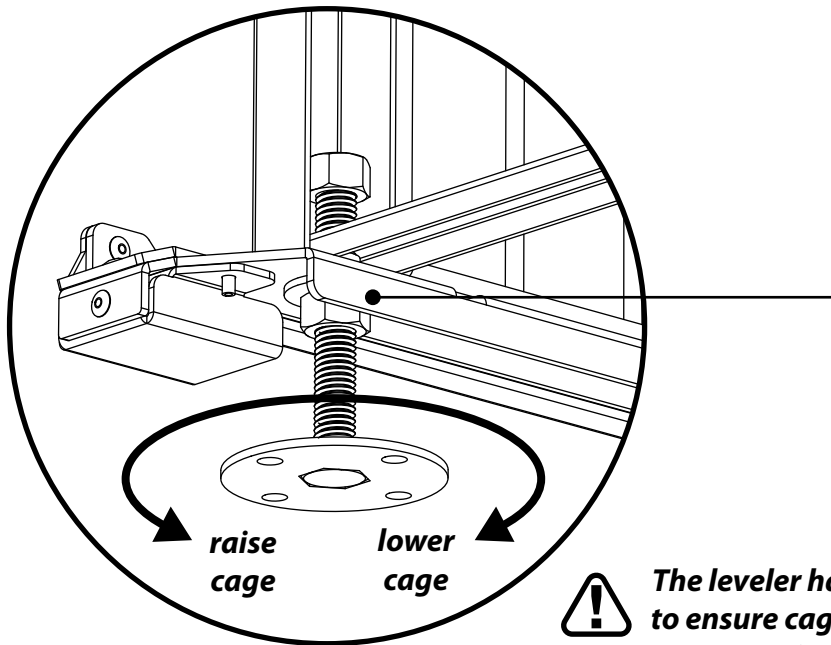
! screw **MUST** be installed so nut is in roof cavity



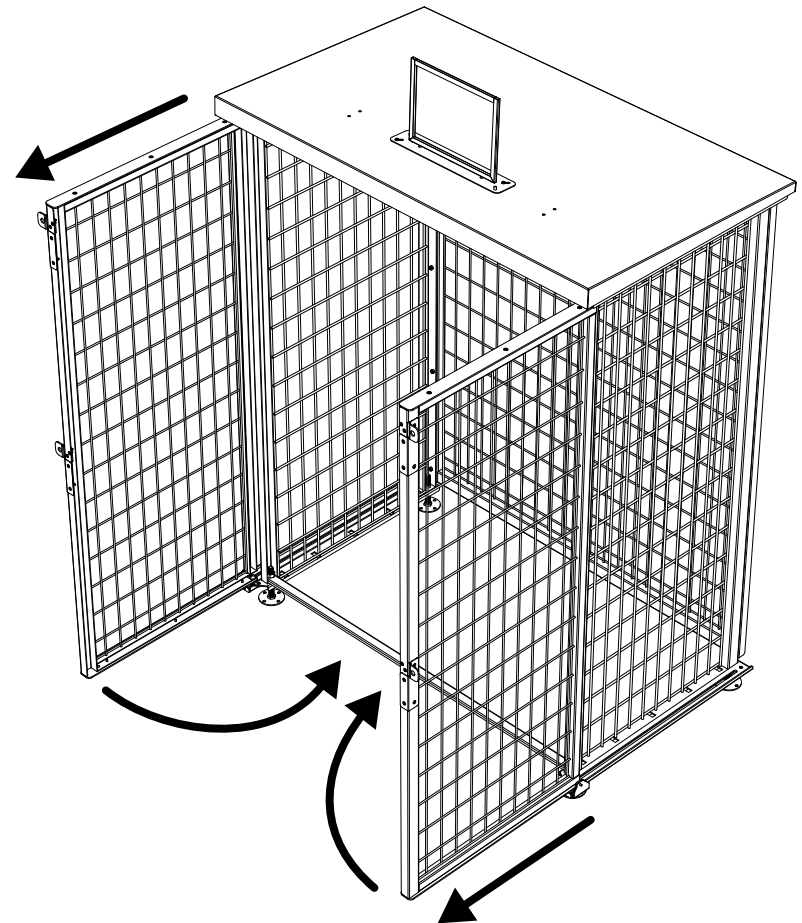
7 **Cage MUST be level for proper operation of doors.**
 Using bubble level as reference, turn levelers to lower or raise each leveler (as shown) until cage is level in all directions, and doors align properly.

NOTE: *Proper door alingment is required for cage to operate correctly.*

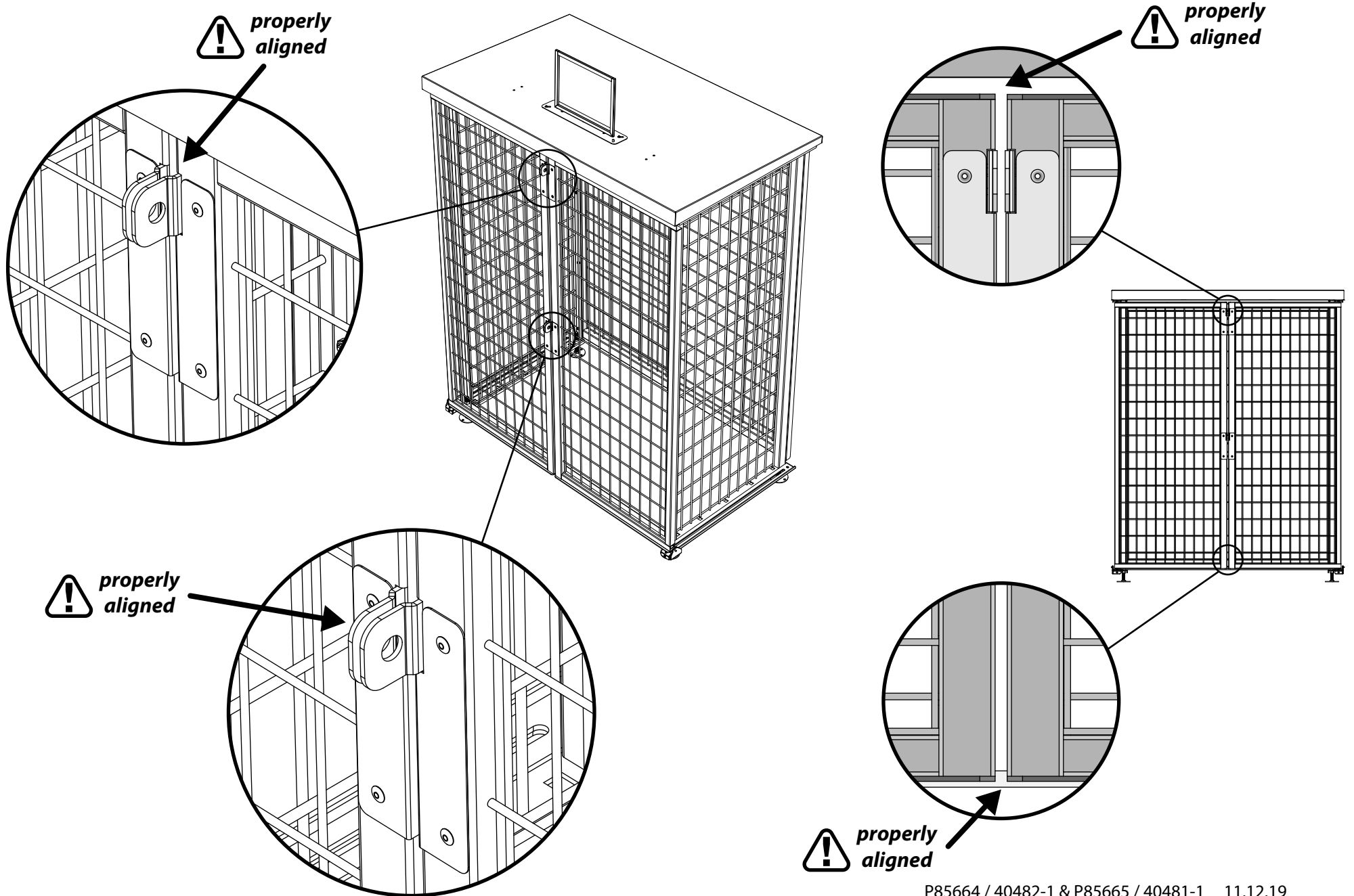
NOTE: *The leveler has a welded nut to ensure cage is a minimum distance from the ground, and defines the lowest the cage can be leveled.*



The leveler has a welded nut to ensure cage is a minimum distance from the ground, and defines the lowest the cage can be leveled



8 Check doors to verify proper alignment and ensure lock holes line up correctly.



9

Cage MUST be mounted to ground surface.

- A** Hand tighten the nut down to the crossbar to keep the cage spaced correctly.
- B** Using HAMMER DRILL and MASONRY DRILL BIT, drill appropriate anchor hole(s) in leveler discs, then insert TAPCON STYLE CONCRETE ANCHORS and WASHERS FOR CONCRETE ANCHORS to attach cage securely to the ground.

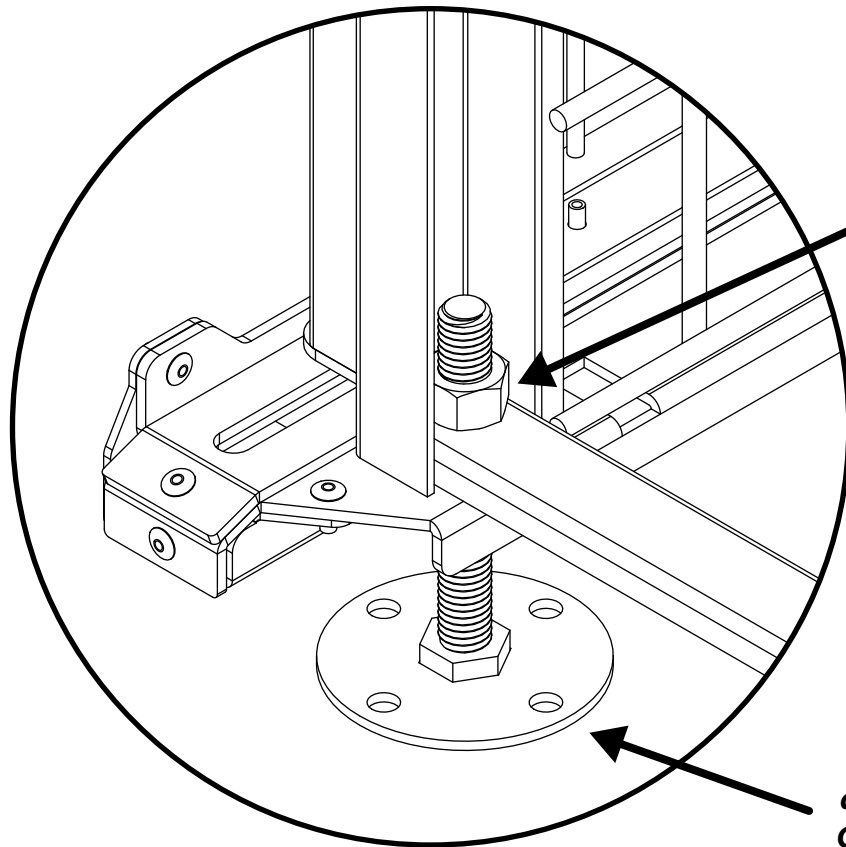
TOOLS & PARTS NEEDED FOR STEP:

3/16" OR 1/4" X 1.25-1.75" TAPCON STYLE CONCRETE ANCHORS

WASHERS FOR CONCRETE ANCHORS

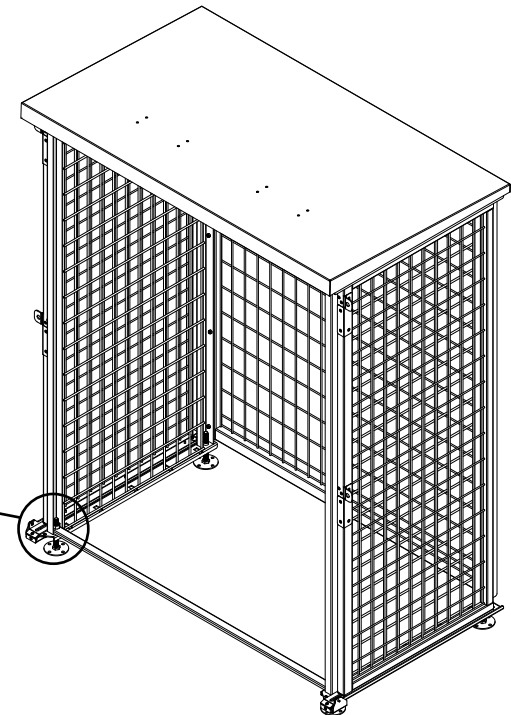
HAMMER DRILL

MASONRY DRILL BIT



A
*hand tighten
NUT down to
CROSSBAR*

B
*drill holes and install
CONCRETE ANCHORS
and WASHERS*





if using optional large sign frame, skip this step and discard small sign frame or keep for possible later use (do not discard fasteners)

10

Attach small sign frame to cage.

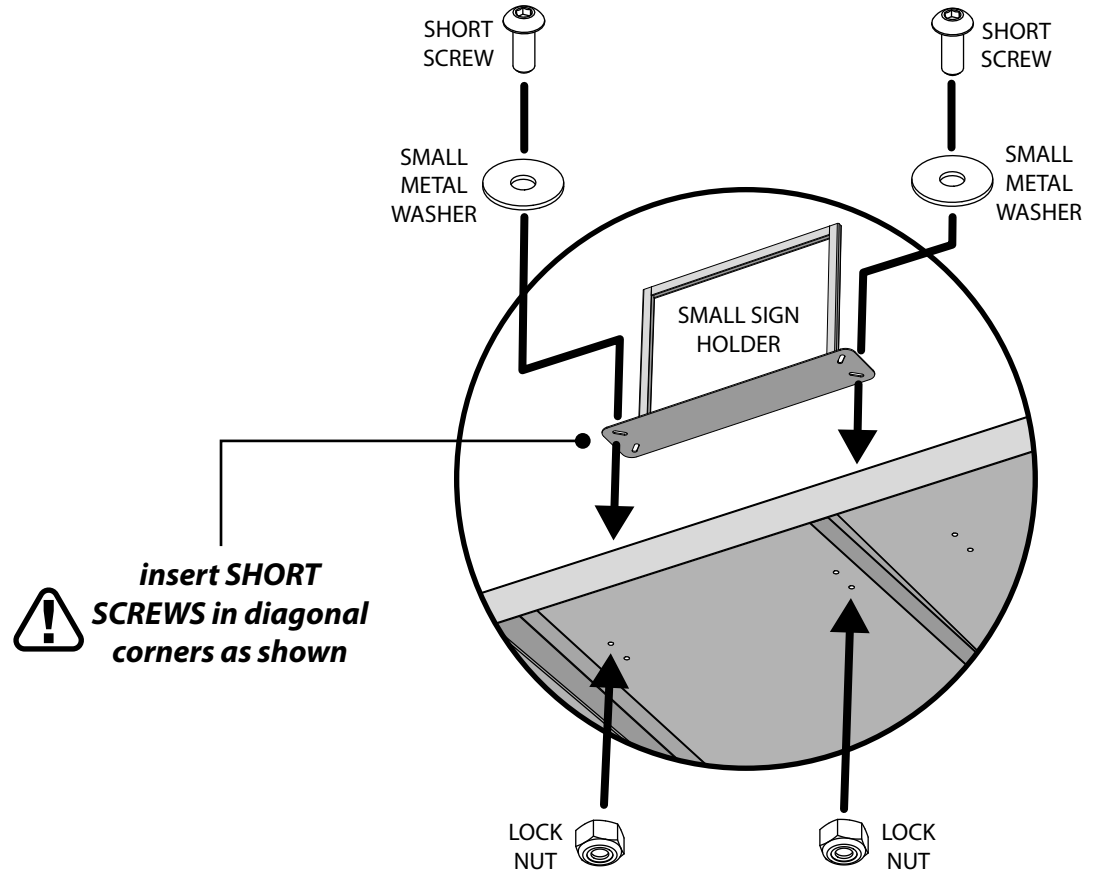
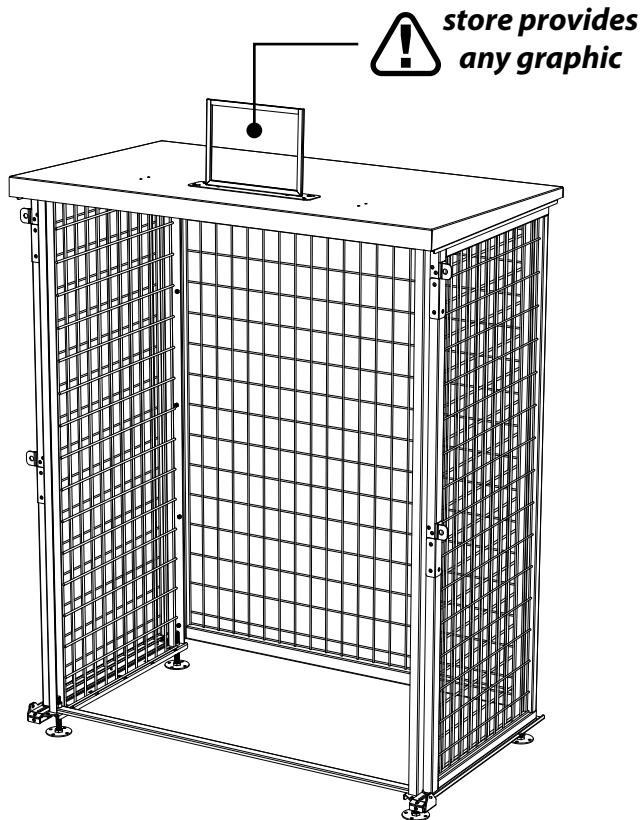
Attach SMALL SIGN HOLDER to roof using SHORT SCREWS, SMALL METAL WASHERS and LOCK NUTS.

NOTE: insert **SHORT SCREWS** in diagonal corners as shown.

NOTE: store provides any graphic.

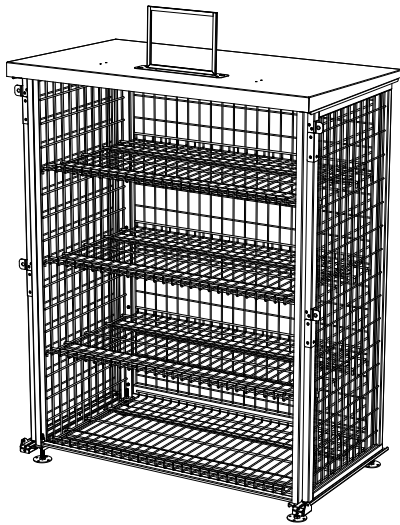
TOOLS & PARTS NEEDED FOR STEP:

4 pcs. SHORT SCREW	4 pcs. LOCK NUT	SMALL SIGN HOLDER	3/8" WRENCH
	2 pcs. SMALL METAL WASHER		5/32" HEX L-KEY



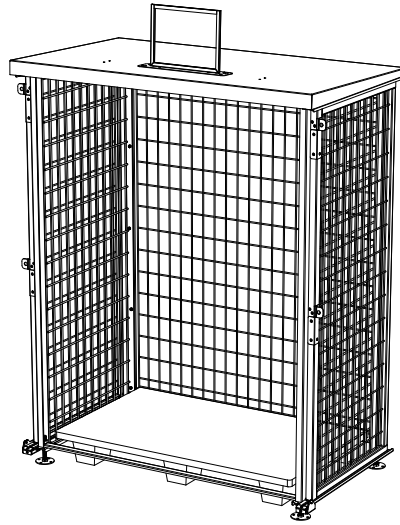
11 Dependent on your application, crossbar can be left in place or removed.

WIRE SHELVES
(1, 2, 3 OR 4)



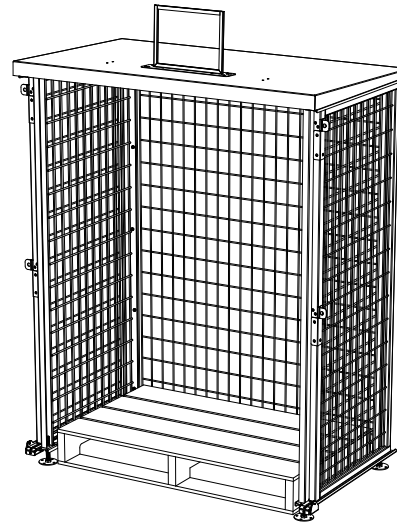
✓ **OK to leave CROSSBAR**

OPTIONAL PLASTIC PALLET



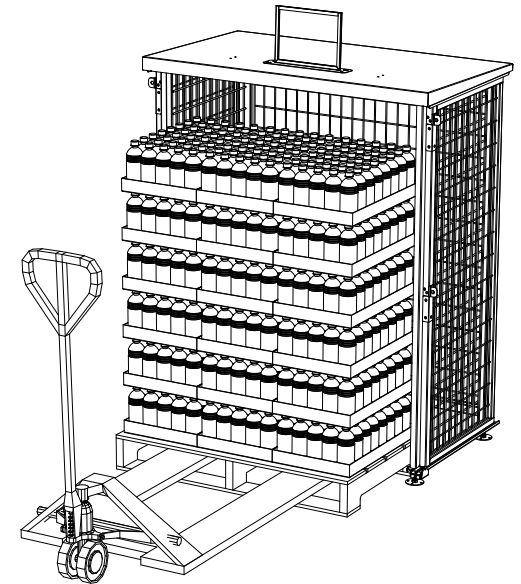
✓ **OK to leave CROSSBAR**

WOOD 1/2 PALLET
(HAND TRANSFERRING PRODUCT)



! **remove CROSSBAR if needed**

WOOD 1/2 PALLET
(LOADING FULL 1/2 PALLETS)



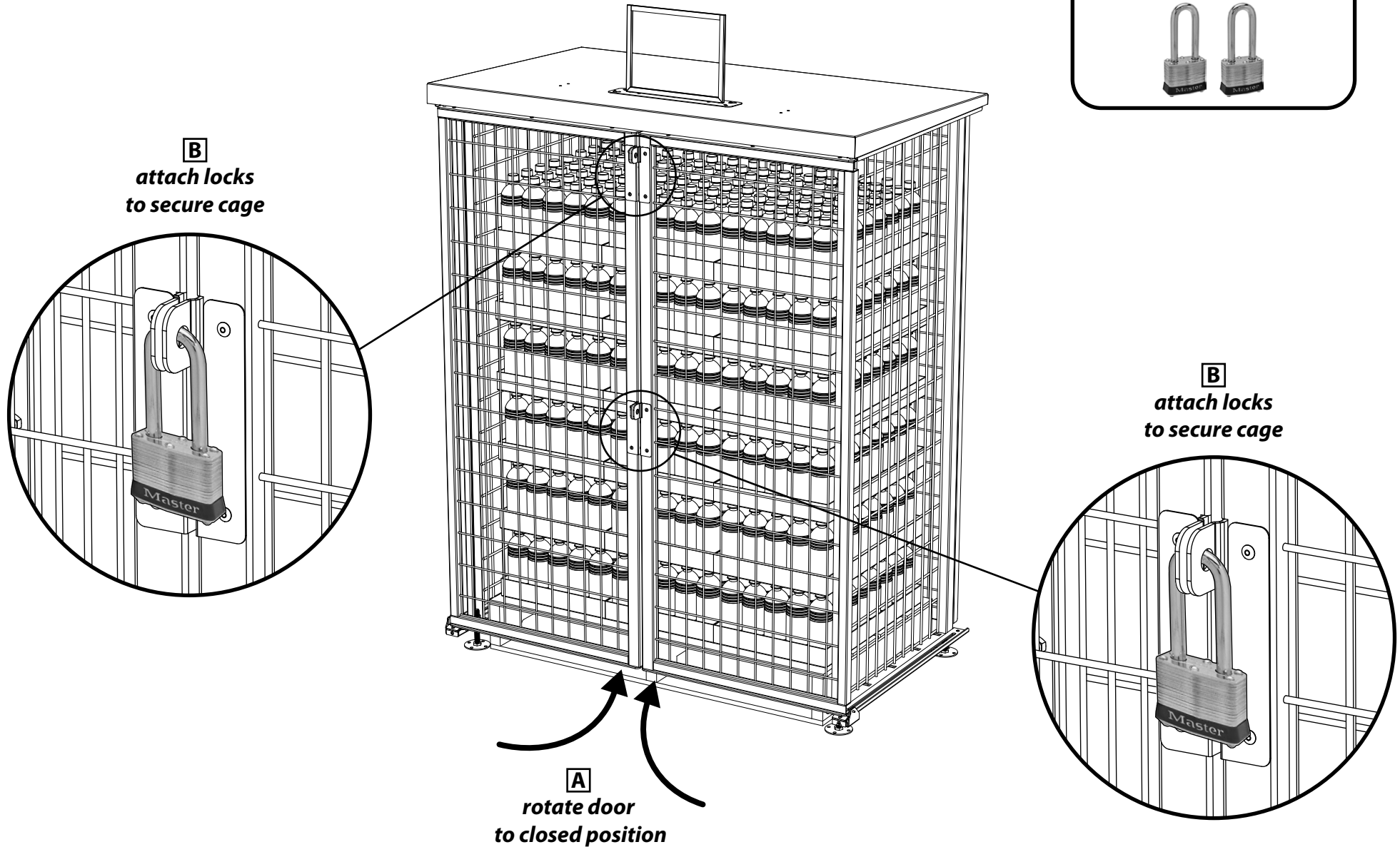
✗ **remove CROSSBAR**

12 Closing doors and securing cage.

- A** Rotate doors to closed position.
- B** Attach locks to secure cage.

TOOLS & PARTS NEEDED:
(not provided)

LOCKS

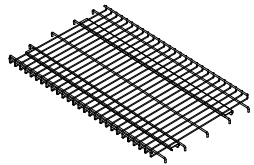
OPTIONAL

A


Installing optional shelves.

- A** Tilt shelf to place it inside security cage.
- B** Set hooks at desired height, then rotate shelf down to engage other hooks.

TOOLS & PARTS NEEDED FOR STEP:

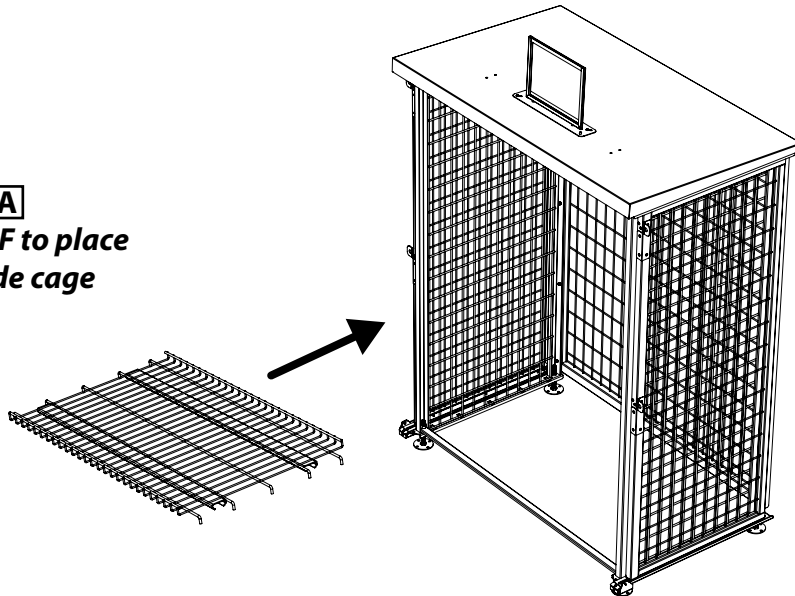


SHELF
(1, 2, 3 OR 4)

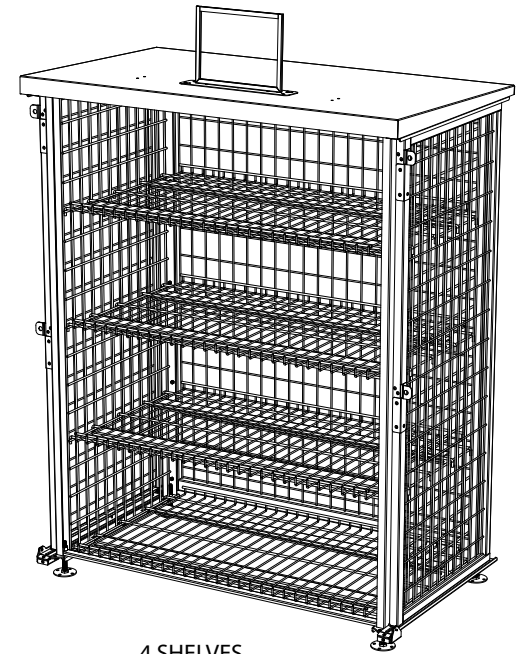
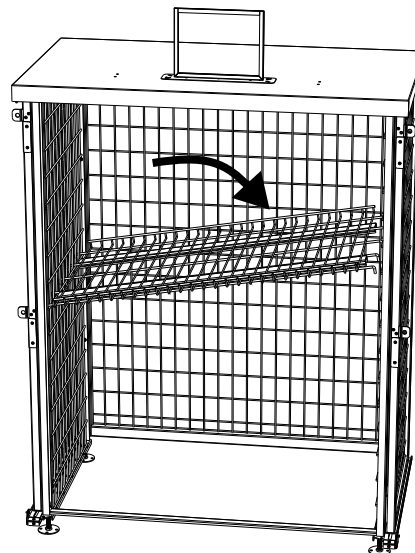


150LBS. MAX PER SHELF

A
*tilt SHELF to place
it inside cage*



B
*set hooks at desired
height, then rotate
SHELF down to
engage other hooks*



4 SHELVES
SHOWN

OPTIONAL

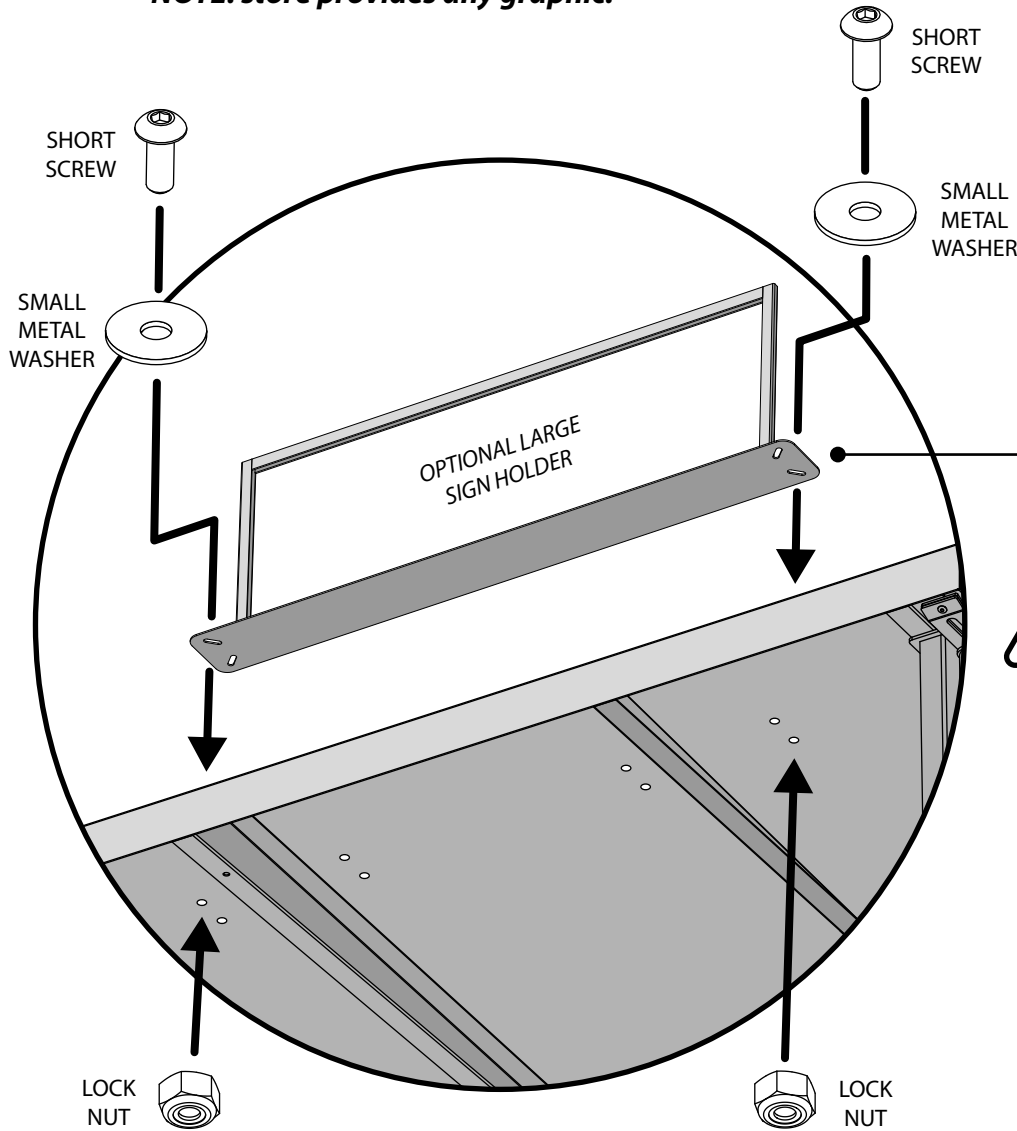
B

Attach optional large sign frame to cage.

Attach LARGE SIGN HOLDER to roof using SHORT SCREWS, SMALL METAL WASHERS and LOCK NUTS.

NOTE: insert SHORT SCREWS in diagonal corners as shown.

NOTE: store provides any graphic.

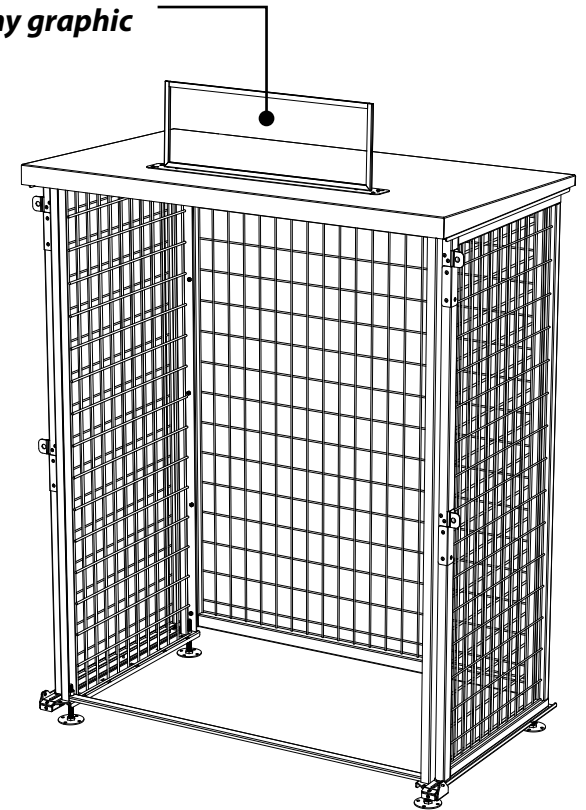


TOOLS & PARTS NEEDED FOR STEP:

- 4 pcs. SHORT SCREW
- 4 pcs. LOCK NUT
- SMALL SIGN HOLDER
- 3/8" WRENCH
- 2 pcs. SMALL METAL WASHER
- 5/32" HEX L-KEY

! store provides any graphic

! insert SHORT SCREWS in diagonal corners as shown



OPTIONAL

C **Attaching optional store provided graphics.**

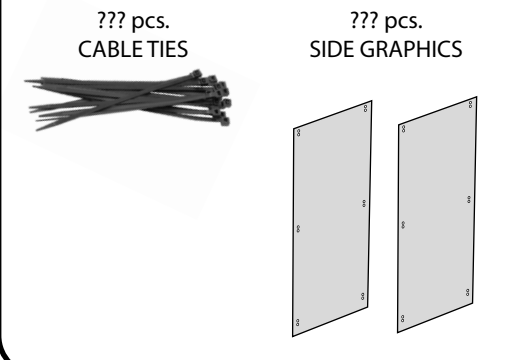
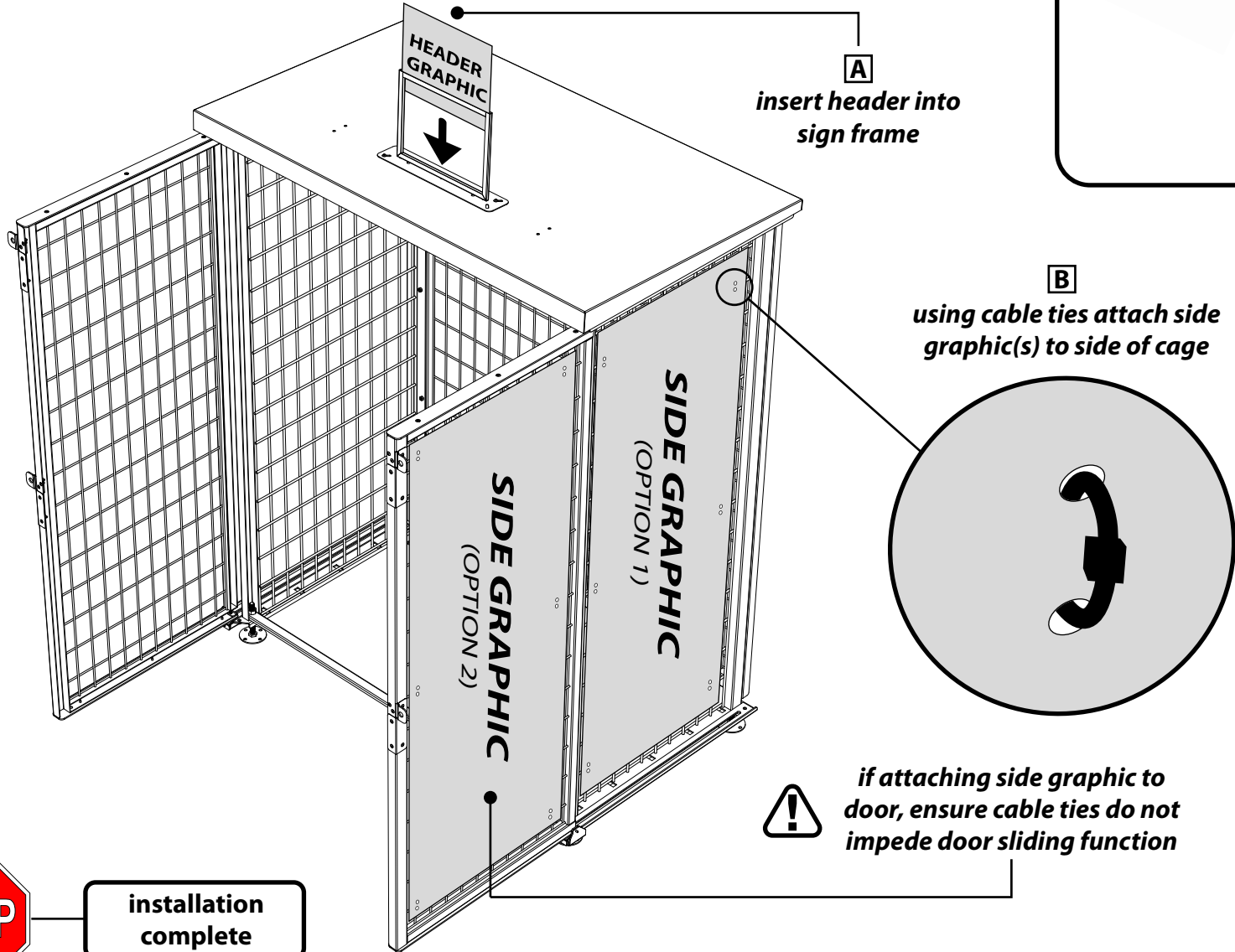
- A** Insert header into sign frame.
- B** Using cable ties (not provided) attach side graphics to sides of cage.

NOTE: if attaching graphic to door, ensure cable ties do not impede door sliding function.

TOOLS & PARTS NEEDED:
(not provided)

??? pcs. CABLE TIES

??? pcs. SIDE GRAPHICS

installation complete